

# AC/DC HALL-EFFECT CURRENT CLAMPS

# SC-SERIES

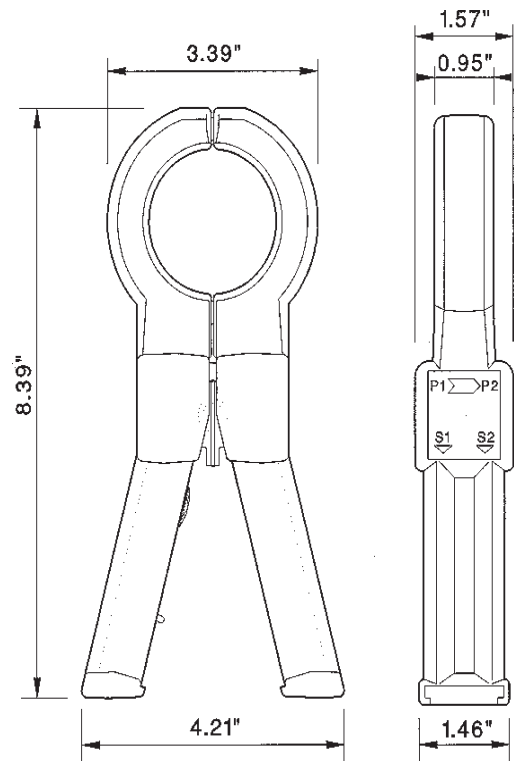
MEETING IEC SAFETY STANDARDS 1010-1 CATEGORY III 600 VOLTS

## GENERAL SPECIFICATIONS

**ACCURACY CLASS:** 1.5%  
**OPERATING VOLTAGE:** 600 VOLTS MAX.  
**ISOLATION TEST:** 5.55 kV - 1 MINUTE  
**CURRENT RATING:** FULL SCALE - CONTINUOUS  
 100% OVERRANGE - 3 MINUTES  
**TEMPERATURE RANGE:** -10 to + 50 Deg. C  
**CABLE SIZE:** 1.97"  
**BASBAR SIZE:** 1.97" x 0.47"  
**DIMENSIONS:** 8.39" x 4.2" x 1.6"  
**WEIGHT:** 1 to 1.25 lb  
**OUTPUT:**  
**S1C Clamps:** 6-ft open-ended cable  
**S2C and S3C Clamps:** Include a 9-VDC Battery

**COLOR:** Red

Specifications subject to change without notification.



**NOTE:** Ranges are in DC or AC P-T-P, where P-T-P is Peak-to-Peak AC Current.  
 The maximum P-T-P value is twice the value of each DC current range.

MODEL	HIGH RANGE		LOW RANGE		MAX CURRENT	FREQUENCY RANGE (Hz)	
	Primary Current	Output	Primary Current	Output		For 3%	For -3 db
AC/DC CLAMPS REQUIRING EXTERNAL 9 to 15 Volt POWER SUPPLY							
S1C-200-1	2 - 200 ADC 4 - 400 A P-T-P	1.0 VDC 2 V P-T-P			400 ADC	DC to 3,000	DC to 5,000
S1C-500-1	5- 500 ADC 10-1000 A P-T-P	1.0 VDC 2 V P-T-P			1000 ADC	DC to 3,000	DC to 5,000
S1C-1000-1	10 - 1000 ADC 20-2000 A P-T-P	1.0 VDC 2 V P-T-P			2000 ADC	DC to 3,000	DC to 5,000
S1C-1500-1	15 - 1500 ADC 30 - 3000 A P-T-P	1.5 VDC 3 V P-T-P			3000 ADC	DC to 3,000	DC to 5,000
AC/DC CLAMPS WITH INTERNAL 9-VOLT BATTERY							
S2C-100-1	1 - 100 ADC 2 - 200 A P-T-P	1.0 VDC 2 V P-T-P			200 ADC	DC to 3,000	DC to 5,000
S2C-200-1	2- 200 ADC 4 - 400 A P-T-P	1.0 VDC 2 V P-T-P			400 ADC	DC to 3,000	DC to 5,000
S2C-1000-1	10 - 1000 ADC 20-2000 A P-T-P	1.0 VDC 2 V P-T-P			1500 ADC	DC to 3,000	DC to 5,000
S2C-2000-2	20 - 2000 ADC 40 - 4000 A P-T-P	2.0 VDC 4 V P-T-P			3000 ADC	DC to 3,000	DC to 5,000
S3C-1000-1	10 - 1000 ADC 20-2000 A P-T-P	1.0 VDC 2 V P-T-P	1 to 100 ADC	1.0 VDC	1500 ADC	DC to 3,000	DC to 5,000
S3C-2000-2	20 - 2000 ADC 40 - 4000 A P-T-P	2.0 VDC 4 V P-T-P	2 to 200 ADC	2.0 VDC	3000 ADC	DC to 3,000	DC to 5,000

**AYA - Instruments, Inc.**

TEL: 412-622-5500 FAX: 412-681-3773

5001 Baum Boulevard, Pittsburgh, PA 15213

www.ayainstruments.com