

AC/DC HALL-EFFECT CURRENT CLAMPS

PC-SERIES

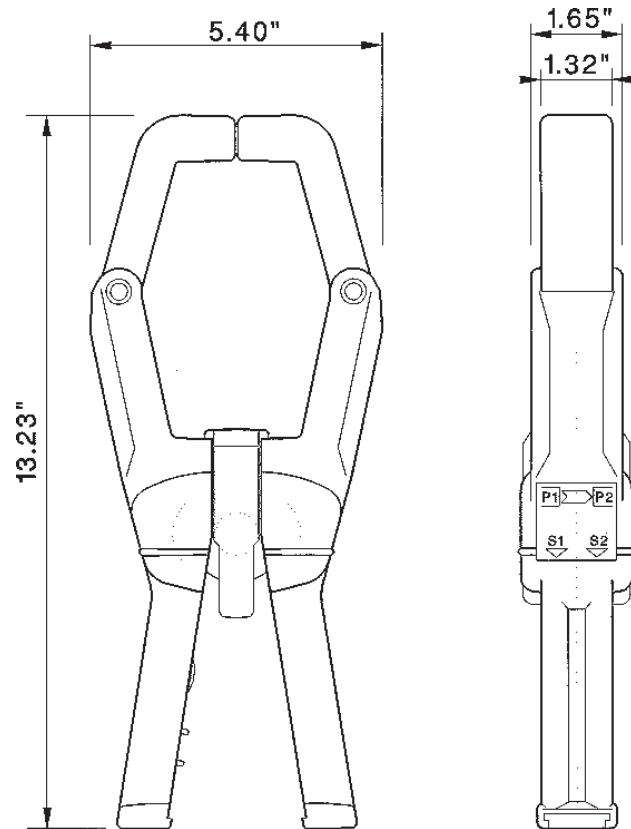
MEETING IEC SAFETY STANDARDS 1010-1 CATEGORY III 600 VOLTS

GENERAL SPECIFICATIONS

ACCURACY CLASS: 1.5%
OPERATING VOLTAGE: 600 VOLTS MAX.
ISOLATION TEST: 5.55 kV - 1 MINUTE
CURRENT RATING: FULL SCALE - CONTINUOUS
 100% OVERRANGE - 3 MINUTES
TEMPERATURE RANGE: -10 to + 50 Deg. C
CABLE SIZE: 3.27"
BUSBAR SIZE: 4.8" x 2.13" or 4.0" x 2.5"
DIMENSIONS: 13.23" x 5.4" x 2.0"
WEIGHT: 4.0 to 4.25 lb
OUTPUT:
P1C Clamps: 6-ft open-ended cable
P3C Clamps: Include a 9-VDC Battery

COLOR: Red

Specifications subject to change without notification



NOTE: Ranges are in DC or AC P-T-P, where P-T-P is Peak-to-Peak AC Current.
 The maximum P-T-P value is twice the value of each DC current range.

| MODEL | HIGH RANGE | | LOW RANGE | | MAX CURRENT | FREQUENCY RANGE (Hz) | |
|--|------------------------------------|----------------------|------------------------------------|--------------------|-------------|----------------------|-------------|
| | Primary Current | Output | Primary Current | Output | | For 3% | For -3 db |
| AC/DC CLAMPS REQUIRING EXTERNAL 9 to 24 Volt POWER SUPPLY | | | | | | | |
| P1C-2000-2 | 20 - 2000 ADC 40 - 4000 A P-T-P | 2 VDC 4 V P-T-P | | | 4000 ADC | DC to 3,000 | DC to 5,000 |
| P1C-4000-2 | 40- 4000 ADC 80 - 8000 A P-T-P | 2 VDC 4 V P-T-P | | | 8000 ADC | DC to 3,000 | DC to 5,000 |
| P1C-5000-2 | 50 - 5000 ADC 100-10000 A P-T-P | 2 VDC 4 V P-T-P | | | 10000 ADC | DC to 2,000 | DC to 4,000 |
| P1C-7500-2 | 75 - 7500 ADC 150-15000 A P-T-P | 1.5 VDC 3 V P-T-P | | | 10000 ADC | DC to 2,000 | DC to 4,000 |
| AC/DC CLAMPS WITH INTERNAL 9-VOLT BATTERY | | | | | | | |
| P3C-2000-2 | 20 - 2000 ADC 40 - 4000 A P-T-P | 2.0 VDC 4 V P-T-P | 2 - 200 ADC 4 - 400 A P-T-P | 2 VDC 4 V P-T-P | 4000 ADC | DC to 3,000 | DC to 5,000 |
| P3C-4000-2 | 40- 4000 ADC 80 - 8000 A P-T-P | 2.0 VDC 4 V P-T-P | 5 - 500 ADC 10 - 1000 A P-T-P | 2 VDC 4 V P-T-P | 8000 ADC | DC to 3,000 | DC to 5,000 |
| P3C-5000-2 | 50 - 5000 ADC 100-10000 A P-T-P | 2.0 VDC 4 V P-T-P | 10 - 1000 ADC 20 - 2000 A P-T-P | 2 VDC 4 V P-T-P | 10000 ADC | DC to 2,000 | DC to 4,000 |
| P3C-7500-A | 75 - 7500 ADC 150-15000 A P-T-P | 1.5 VDC 3 V P-T-P | 10 - 1000 ADC 20 - 2000 A P-T-P | 2 VDC 4 V P-T-P | 10000 ADC | DC to 2,000 | DC to 4,000 |
| P3C-7500-C | 75 - 7500 ADC 150-15000 A P-T-P | 1.5 VDC 3 V P-T-P | 40- 4000 ADC 80 - 8000 A P-T-P | 2 VDC 4 V P-T-P | 10000 ADC | DC to 2,000 | DC to 4,000 |

AYA - Instruments, Inc.

TEL: 412-622-5500 FAX: 412-681-3773

5001 Baum Boulevard, Pittsburgh, PA 15213

19

www.ayainstruments.com