

## FEATURES AND SPECIFICATIONS



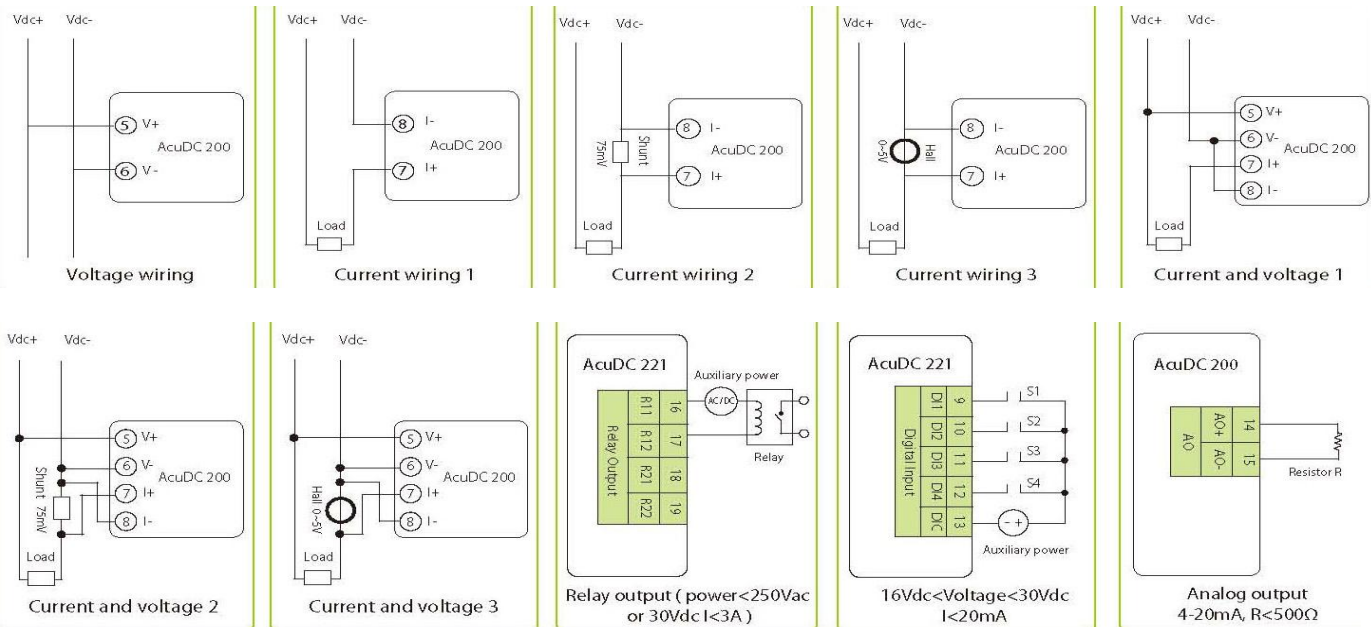
### APPLICATIONS

- SOLAR AND WIND ENERGY SYSTEMS
- INDUSTRIAL CONTROL SYSTEMS
- DC ENERGY MANAGEMENT SYSTEMS
- LARGE UPS SYSTEMS

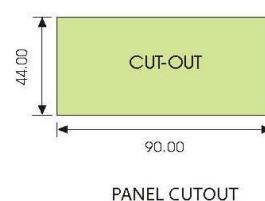
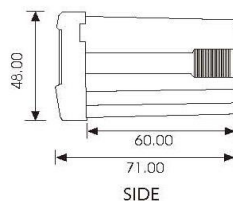
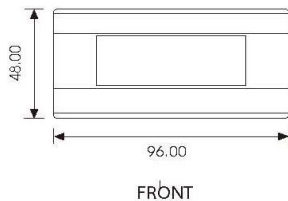
### FEATURES

- DC POWER METERING
- MONITOR AND CONTROL POWER SWITCHES
- ALARMING AND ANALOG OUTPUT
- CAN BE USED IN SCADA, PLC SYSTEMS
- 96X48 mm FOR MOUNTING ON POWER PANELS

### Typical Wiring



### DIMENSIONS in MM



SELECTION CHART	DC-211	DC-212	DC-213	DC-221	DC-222	DC-223
VOLTAGE	YES		YES	YES		YES
CURRENT		YES	YES		YES	YES
POWER (KW)			YES			YES
ENERGY (KW-Hour)			YES			YES
I/O				Optional	Optional	Optional
OUTPUT (4-20mA or 0-5VDC)	Optional	Optional	Optional	Optional	Optional	Optional
ALARM				Optional	Optional	Optional
COMMUNICATION (RS-485)				YES	YES	YES

Specifications subject to change without notice.

## TECHNICAL SPECIFICATIONS

Metering			
Parameters	Accuracy	Resolution	Range
Voltage	0.2%	0.01V	0~600V
Current	0.2%	0.005A	0.005~9999A
Power	0.5%	0.01W	0.01~6,000,000W
Energy	0.5%	0.1Kwh	0.1~99999.9kWh

Drift with Temperature: <100ppm/°C

Stability: 0.5%/year

Voltage	
Input range	0~600V
Input impedance	2MΩ
Load:	<0.2W
Accuracy	0.2%

Current	
Input range	0~10A (Direct input) 0~9999A (Extra current shunt or Hall element, with programmable range)
Shunt	50~100mV (programmable)
Hall element	0~5V, 0~4V, 0~20mA, 4~20mA
Power consumption	2W (max)
Accuracy	0.2%

Digital Input (DI)	
Optical isolation	2500Vac rms
Input Form	Contact with Power Supply
Input Resistance	2K ohm (typical)
Input Voltage Range	16~30Vdc
Close Voltage	>16Vdc
Max Input Current	20mA

Relay output (RO)	
Output Form	Mechanical Contact, Form A
Max Load Voltage	250Vac/30Vdc
Max Load Current	3A
On Resistance	100MΩ (Max)
Isolate Voltage	4000Vac
Mechanical endurance	5×10 <sup>6</sup> cycles

Analog Output (AO)	
Output Range	4~20mA or 0~5V
Resolution	12bit
Output Capability	4~20mA Max Resistance: 500 ohm 0~5V Max Current: 20 mA

Communication	
Type	RS485, Half Duplex, Optical Isolated
Protocol	Modbus RTU
Baud Rate	1200~19200bps
Isolate Voltage	2500Vac

Operating Environment	
Operation temp	-25°C~+70°C
Storage temp	-40°C~+85°C
Humidity	5%~95% Non-condensing
Altitude	2000m

Dimensions	
Dimensions	96×48×71mm
Weight	0.4kg

Power Supply	
Input	(P1) 100~240Vac, 50/60Hz 100~300Vdc (P2) 20~60Vdc
Power Consumption	2W

## ORDERING INFORMATION

