

CURRENT TRANSFORMERS
Window Diameter 2.06"
Model 6ARL



APPLICATION:

Ammeters and wattmeters.

FREQUENCY:

50-400 Hz.

INSULATION LEVEL:

600 Volts, 10 kV BIL full wave.

Terminal are brass studs No. 8-32 with one flatwasher, lockwasher and regular nut.

Flexible leads are UL 1015, 1050C, CSA approved, #16 AWG, 24" long.

Non-standard, lead length can be specified.

Order mounting bracket kit 0221B00181 separately for Model 6ASHT.

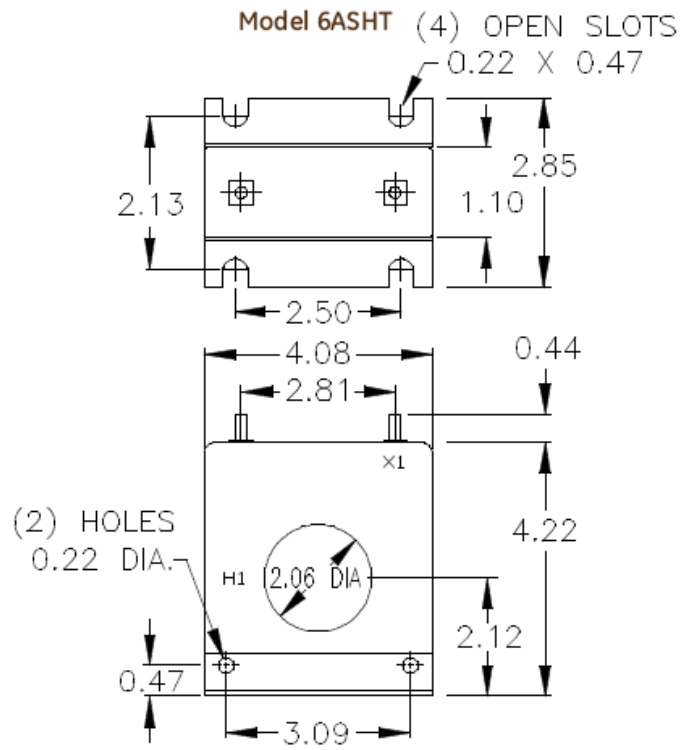
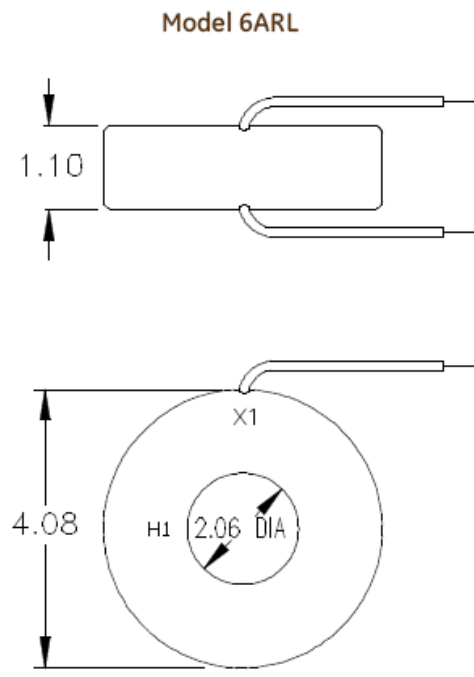
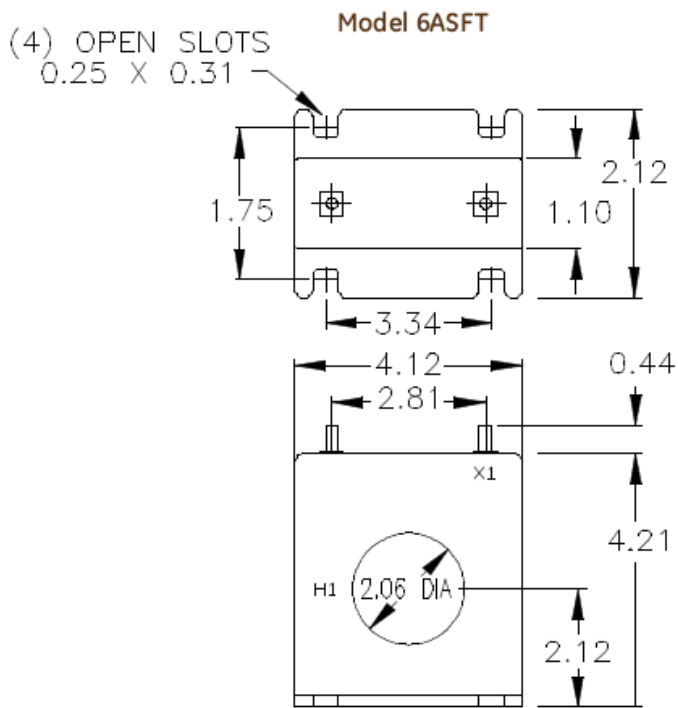
Model 6ASHT and model 6ASFT also available as 6ASHL and 6ASFL with leads.

Approximate weight 1.25 lbs.

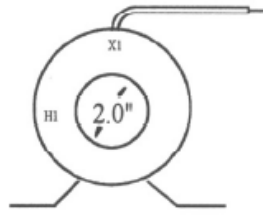
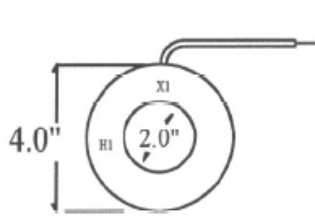
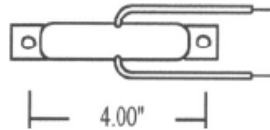
CATALOG NUMBER	CURRENT RATIO	V.A. ± 1% CLASS	ANSI METERING CLASS AT 60HZ					SECONDARY WINDING RESISTANCE (OHMS @ 75°C)	CONTINUOUS THERMAL RATING FACTOR	
			BO.1	BO.2	BO.5	BO.9	B1.8		@ 30°C	@ 55°C
6A**-101	100:5	1.0	1.2	2.4	—	—	—	0.015	2.0	2.0
6A**-151	150:5	5.0	1.2	1.2	4.8	4.8	—	0.024	2.0	2.0
6A**-201	200:5	5.0	0.6	1.2	2.4	4.8	—	0.037	2.0	2.0
6A**-251	250:5	7.5	0.3	0.6	2.4	2.4	4.8	0.044	2.0	1.5
6A**-301	300:5	12.5	0.3	0.6	1.2	2.4	2.4	0.055	2.0	1.5
6A**-401	400:5	15.0	0.3	0.3	0.6	1.2	2.4	0.071	1.5	1.33
6A**-501	500:5	25.0	0.3	0.3	0.6	1.2	2.4	0.107	1.5	1.0
6A**-601	600:5	30.0	0.3	0.3	0.6	0.6	1.2	0.128	1.33	1.0
6A**-751	750:5	30.0	0.3	0.3	0.6	0.6	1.2	0.156	1.25	1.0
6A**-801	800:5	35.0	0.3	0.3	0.6	0.6	0.6	0.167	1.25	0.8
6A**-102	1000:5	35.0	0.3	0.3	0.3	0.6	0.6	0.208	1.0	0.8
6A**-122	1200:5	40.0	0.3	0.3	0.3	0.3	0.6	0.250	1.0	0.8
6A**-152	1500:5	50.0	0.3	0.3	0.3	0.3	0.6	0.388	1.0	0.8

**Note: When ordering, prefix Cat No. with model designation required i.e. 6ASHT-201, 6ARL-301, etc.

Model 6ARL



CURRENT TRANSFORMERS
Window Diameter 2.06"
Model 2040ARW – 2040ARWB



2040ARW-**

2040ARWB-**

APPLICATION:

Ammeters and wattmeters.

INSULATION CLASS:

0.6kV. BIL 10kV. full wave.

50-400 Hz.

CONTINUOUS THERMAL

CURRENT RATING:

1.33 at 30°C amb., 1.0 at 55°C. amb. Average

Fully encapsulated indoor/outdoor applications

Standard 5-amp secondary. Others available

Flexible leads are UL 3173 125 degree C. CSA Approved, #16 AWG 24" Long.

Non-Standard length to be specified.

Additional ratios available.

Approximate weight 1.25 lb.

CATALOG NUMBER	CURRENT RATIO AMPERES	V.A. FOR +- 1% CLASS	ANSI METERING CLASS AT 60Hz			
			BO.1	BO.2	BO.5	BO.9
*-100	100:5	1.0	2.4	-	-	-
*-150	150:5	5.0	1.2	1.2	-	-
*-200	200:5	5.0	0.6	1.2	-	-
*-250	250:5	7.50	0.6	0.6	1.2	-
*-300	300:5	12.0	0.3	0.3	1.2	-
*-400	400:5	15.0	0.3	0.3	0.6	-
*-500	500:5	25.0	0.3	0.3	0.6	-
*-600	600:5	30.0	0.3	0.3	0.3	-
*-750	750:5	30.0	0.3	0.3	0.3	-
*-800	800:5	35.0	0.3	0.3	0.3	-
*-1000	1000:5	35.0	0.3	0.3	0.3	0.6
*-1200	1200:5	40.0	0.3	0.3	0.3	0.6

Made in the United States of America