

**CURRENT TRANSFORMERS**  
**Window Diameter 6.50"**  
**Model 139**



**APPLICATION:**

Relaying and metering.

**FREQUENCY:**

50-400 Hz.

**INSULATION LEVEL:**

600 Volts, 10 kV BIL full wave.

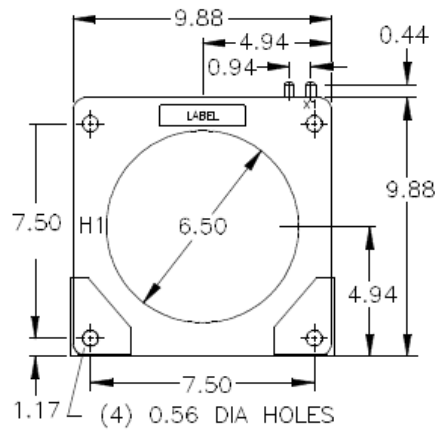
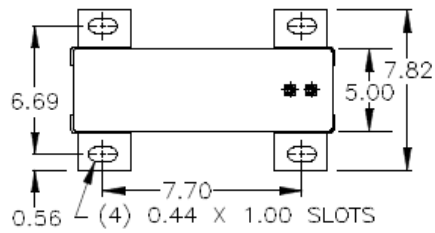
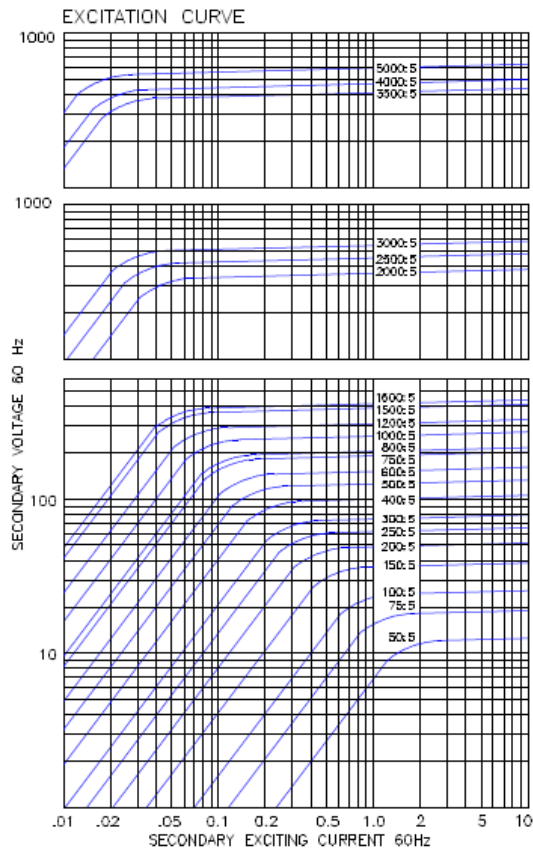
Terminals are brass screws No. 10-32 with one flatwasher and lockwasher.

Order mounting bracket kit 0221B01528 separately.  
Multi-ratios available on request.

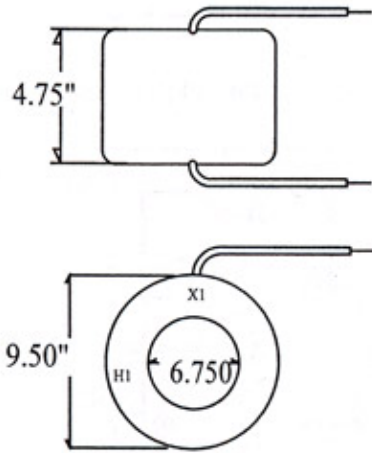
Approximate weight 40 lbs.

CATALOG NUMBER	CURRENT RATIO	RELAY CLASS	ANSI METERING CLASS AT 60HZ					SECONDARY WINDING RESISTANCE (OHMS @ 75°C)	CONTINUOUS THERMAL RATING FACTOR	
			BO.1	BO.2	BO.5	BO.9	B1.8		@ 30°C	@ 55°C
139-500	50:5	C10	4.8	—	—	—	—	0.018	2.0	2.0
139-750	75:5	C10	2.4	4.8	—	—	—	0.027	2.0	2.0
139-101	100:5	C20	1.2	2.4	4.8	4.8	—	0.036	2.0	2.0
139-151	150:5	C20	0.6	1.2	2.4	2.4	4.8	0.053	2.0	2.0
139-201	200:5	C20	0.6	0.6	1.2	2.4	2.4	0.071	2.0	2.0
139-251	250:5	C50	0.3	0.6	1.2	1.2	2.4	0.089	2.0	2.0
139-301	300:5	C50	0.3	0.3	0.6	1.2	1.2	0.107	2.0	2.0
139-401	400:5	C50	0.3	0.3	0.3	0.6	1.2	0.142	2.0	2.0
139-501	500:5	C100	0.3	0.3	0.3	0.3	0.6	0.178	2.0	2.0
139-601	600:5	C100	0.3	0.3	0.3	0.3	0.6	0.214	2.0	2.0
139-751	750:5	C100	0.3	0.3	0.3	0.3	0.3	0.267	2.0	2.0
139-801	800:5	C100	0.3	0.3	0.3	0.3	0.3	0.285	2.0	2.0
139-102	1000:5	C200	0.3	0.3	0.3	0.3	0.3	0.563	1.5	1.5
139-122	1200:5	C200	0.3	0.3	0.3	0.3	0.3	0.676	1.5	1.33
139-152	1500:5	C200	0.3	0.3	0.3	0.3	0.3	0.845	1.5	1.0
139-162	1600:5	C200	0.3	0.3	0.3	0.3	0.3	0.901	1.5	1.0
139-202	2000:5	C200	0.3	0.3	0.3	0.3	0.3	0.823	1.5	1.0
139-252	2500:5	C200	0.3	0.3	0.3	0.3	0.3	1.029	1.5	1.0
139-302	3000:5	C400	0.3	0.3	0.3	0.3	0.3	1.235	1.33	1.0
139-352	3500:5	C200	0.3	0.3	0.3	0.3	0.3	1.352	1.0	1.0
139-402	4000:5	C200	0.3	0.3	0.3	0.3	0.3	1.545	1.0	0.8
139-502	5000:5	C400	0.3	0.3	0.3	0.3	0.3	3.025	1.0	0.8

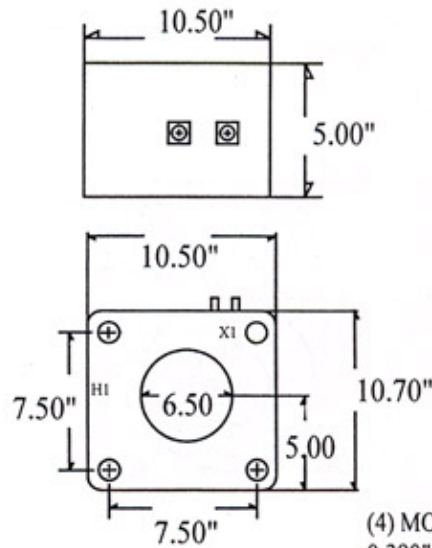
# Model 139



**CURRENT TRANSFORMERS**  
**Window Diameter 6.50"**  
**Model 65115RW & SH**



**Model 65115RW-\*\***



**Model 65115SH-\*\***

(4) MOUNT HOLES  
0.390" DIAMETER.

Flexible leads are UL 3174 150 degree C.  
CSA Approved, #10 AWG 24" Long.

Non-Standard length to be specified.

Terminals are brass No. 10-32 UNC.

Mounting brackets optional  
order No. 8111-MBK

Additional ratios available.

Approximate weight 43 lbs.

**NOTE:** 4000:5 and up has an  
Rf. Of 1.0@30 C. amb.

CATALOG NUMBER	CURRENT RATIO	RELAY CLASS	ANSI METERING CLASS AT 60 Hz				
			B0.1	B0.2	B0.5	B0.9	B1.8
** -600	600:5	C100	0.3	0.3	0.3	0.3	0.6
** -750	750:5	C200	0.3	0.3	0.3	0.3	0.3
** -800	800:5	C200	0.3	0.3	0.3	0.3	0.3
** -1000	1000:5	C200	0.3	0.3	0.3	0.3	0.3
** -1200	1200:5	C200	0.3	0.3	0.3	0.3	0.3
** -1500	1500:5	C400	0.3	0.3	0.3	0.3	0.3
** -1600	1600:5	C400	0.3	0.3	0.3	0.3	0.3
** -2000	2000:5	C400	0.3	0.3	0.3	0.3	0.3
** -2500	2500:5	C400	0.3	0.3	0.3	0.3	0.3
** -3000	3000:5	C400	0.3	0.3	0.3	0.3	0.3
** -3500	3500:5	C400	0.3	0.3	0.3	0.3	0.3
** -4000	4000:5	C400	0.3	0.3	0.3	0.3	0.3
** -5000	5000:5	C400	0.3	0.3	0.3	0.3	0.3

Made in the United States of America