

Three-Phase Potential Transformers

3VTN460

UL RECOGNIZED

600 VOLT CLASS

150 VA

Specifications

INPUT VOLTAGE: SEE CHART
OUTPUT VOLTAGE: 120 Volts Line to Line
INSULATION CLASS: 600 Volts, 10Kv BIL Full Wave.
ACCURACY CLASS: 0.6W, 1.2X at 60 Hz.
BURDEN RATING: 150 VA at 30 Deg. C
 100 VA at 55 Deg. C
PRIMARY TERMINALS: 8-32 BRASS SCREWS
APPROXIMATE WEIGHT: 24 LBS.

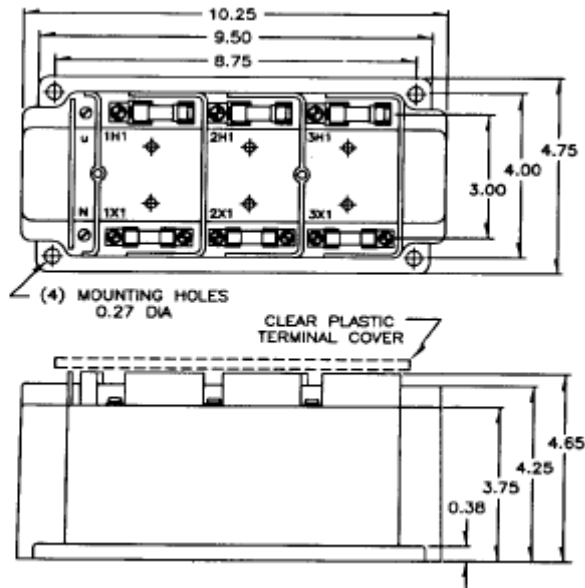
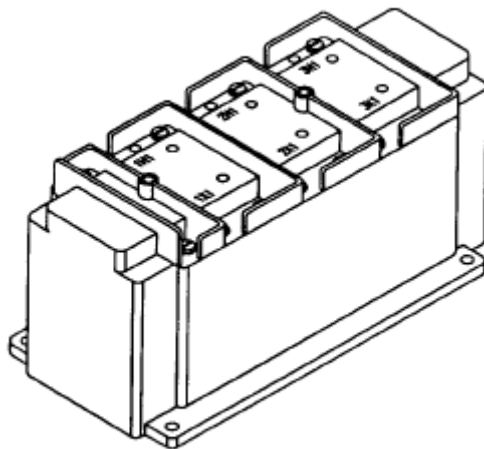
Applications and Features

FOR LINE TO NEUTRAL CONNECTION. ALL TERMINALS ARE ACCESSIBLE.

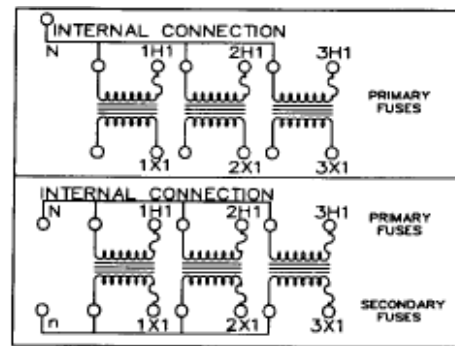
THREE TRANSFORMERS IN ONE CASE.

THE CORE AND COIL ASSEMBLY ARE ENCASED IN A THERMOPLASTIC SHELL AND FILLED WITH RESIN.

A REMOVABLE CLEAR TERMINAL PLASTIC COVER PREVENTS CONTACT WITH THE TERMINALS.



MODEL		Line To Neutral Voltage Rating	TURNS RATIO	Rec. Primary Fuse Rating
Primary Fuses Fuses Only	Primary and Secondary Fuses			
3VTN460-069F*	3VTN460-069FF*	69.3:120	1:1	4.0
3VTN460-120F*	3VTN460-120FF*	120:120	1.73:1	2.0
3VTN460-240F*	3VTN460-240FF*	240:120	2:1	2.0
3VTN460-277*	3VTN460-277FF*	277:120	2.4:1	1.5
3VTN460-300F*	3VTN460-300FF*	300:120	4:1	1.0
3VTN460-346*	3VTN460-346FF*	346:120	5:1	0.75



CONNECTION DIAGRAMS

Three-Phase Potential Transformers

3VTL460

UL RECOGNIZED

600 VOLT CLASS

150 VA

Specifications

INPUT VOLTAGE: SEE CHART
 OUTPUT VOLTAGE: 120 Volts Line to Line
 INSULATION CLASS: 600 Volts, 10Kv BIL Full Wave.
 ACCURACY CLASS: 0.6W, 1.2X at 60 Hz.
 BURDEN RATING: 150 VA at 30 Deg. C
 100 VA at 55 Deg. C
 PRIMARY TERMINALS: 8-32 BRASS SCREWS
 APPROXIMATE WEIGHT: 24 LBS.

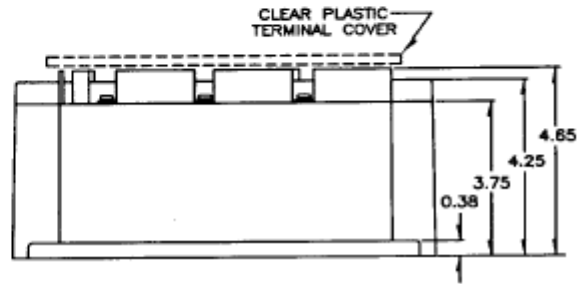
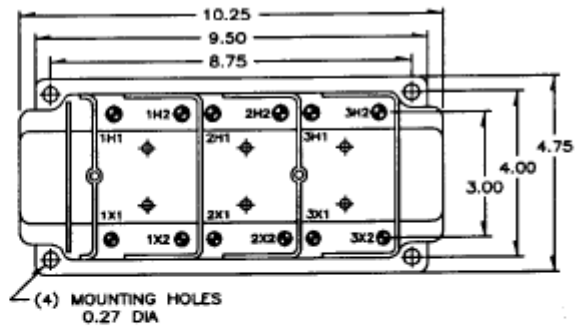
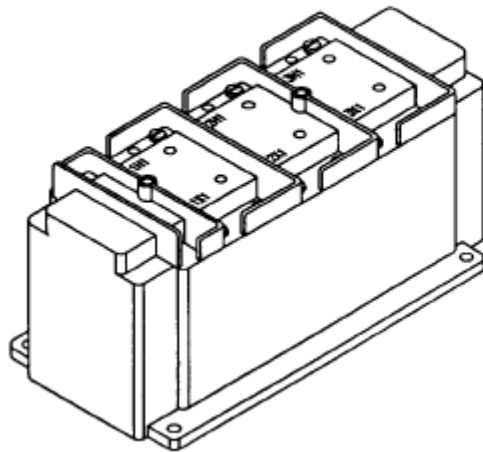
Applications and Features

FOR LINE TO LINE CONNECTION. ALL TERMINALS ARE ACCESSIBLE.

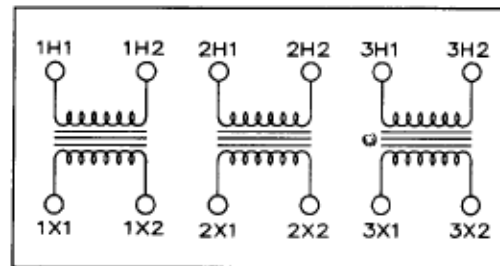
THREE TRANSFORMERS IN ONE CASE.

THE CORE AND COIL ASSEMBLY ARE ENCASED IN A THERMOPLASTIC SHELL AND FILLED WITH RESIN.

A REMOVABLE CLEAR TERMINAL PLASTIC COVER PREVENTS CONTACT WITH THE TERMINALS.



MODEL	Line to Line Voltage Rating	Turns Ratio	Rec. Primary Fuse Rating
3VTL460-120	120:120	1:1	4.0
3VTL460-208	208:120	1.73:1	2.0
3VTL460-240	240:120	2:1	2.0
3VTL460-288	288:120	2.4:1	1.5
3VTL460-480	480:120	4:1	1.0
3VTL460-600	600:120	5:1	0.75



CONNECTION DIAGRAM

Three-Phase Potential Transformers

3PTL150

INDOOR and OUTDOOR

600 VOLT CLASS

150 VA

Specifications

INPUT VOLTAGE: SEE CHART
 OUTPUT VOLTAGE: 120V
 INSULATION CLASS: 600 Volts, 10Kv BIL Full Wave.
 TEMPERATURE RANGE: -20 TO +55 Deg. C
 STORAGE TEMPERATURE: -40 TO +80 Deg. C
 ACCURACY CLASS: 0.6W, 1.2X at 60 Hz.
 BURDEN RATING: 150 VA at 30 Deg. C
 100 VA at 55 Deg. C
 TERMINALS: BRASS TERMINALS No. 10-32
 APPROXIMATE WEIGHT: 25 LBS.

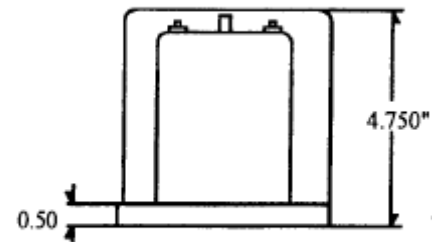
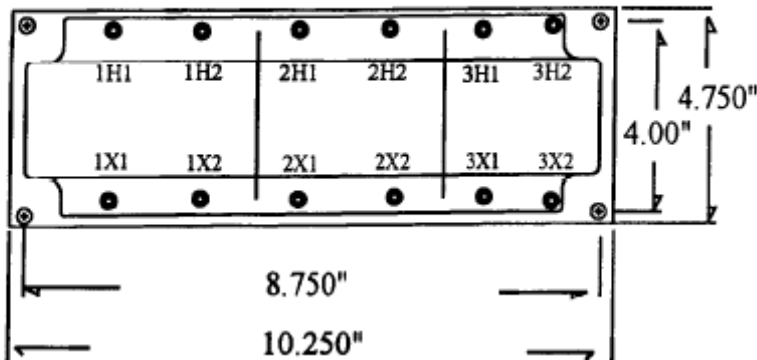
Applications and Features

FOR USE IN LINE-TO-LINE OPERATIONS.

THE CORE AND COIL ASSEMBLY ARE ENCASED FOR INDOOR/OUTDOOR INSTALLATION.

(OUTDOOR WITH OPTIONAL BOOT)

(4) HOLES
0.312 DIA.



It is desirable to use a 1.5 amp fuse in the secondary to protect the transformer.

The model 3PT75-3.17 is designed specifically for 50 HZ operation at 66% reduced load.

All other ratios are designed for 60 Hz operations.

Transformers are ANSI C57.13 group 1.

MODEL Primary Fuses only	INPUT VOLTAGE	OUTPUT VOLTAGE	TURNS RATIO	LINE FREQ.	ANSI C57.13 RATING
3PTL150-0.58PF	69.4	120	0.58:1	60Hz	GROUP 1
3PTL150-1PF	120	120	1:1	60Hz	GROUP 1
3PTL150-1.73PF	208	120	1.73:1	60Hz	GROUP 1
3PTL150-2PF	240	120	2:1	60Hz	GROUP 1
3PTL150-2.4PF	288	120	2.4:1	60Hz	GROUP 1
3PTL150-2.5PF	300	120	2.5:1	60Hz	GROUP 1
3PTL150-4PF	480	120	4:1	60Hz	GROUP 2
3PTL150-5PF	600	120	5:1	60Hz	GROUP 2
3PTL150-3.17PF	380	120	3.17:1	50Hz	GROUP 2

SPECIFICATIONS SUBJECT TO CHANGE WITHOUT NOTICE

9-11-3VTL460