

**Single Phase Potential Transformers**

**PT6-2**

UL & CSA APPROVED

25.5 kV CLASS

1500 VA

**Specifications**

**INPUT VOLTAGE:** 10.2 kv – 24.0 kv  
**OUTPUT VOLTAGE:** 120V-60Hz  
**INSULATION CLASS:** 25.5 kV  
**BASIC IMPULSE LEVEL:** 125 Kv BIL  
**THERMAL RATING:** 1500 VA at 30 DEG. C. amb  
 1000 VA at 55 DEG. C. amb  
**ACCURACY CLASS:** 0.3 WXYZ, 1.2 Zz at 100%  
 rated voltage (with 120 V based ANSI burden)  
 0.3 WXY, 1.2 Z at 58%  
 rated voltage (with 69.3 V based ANSI burden)  
**WEIGHT:** 125 lbs.  
**FREQUENCY:** 60 Hz

**Applications and Features**

ASSEMBLY IS ENCASED IN PLASTIC ENCLOSURE AND VACUUM ENCAPSULATED IN POLYURETHANE RESIN.

MOUNTING BASE IS PLATED STEEL.

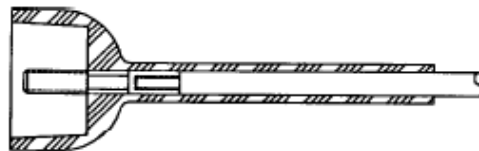
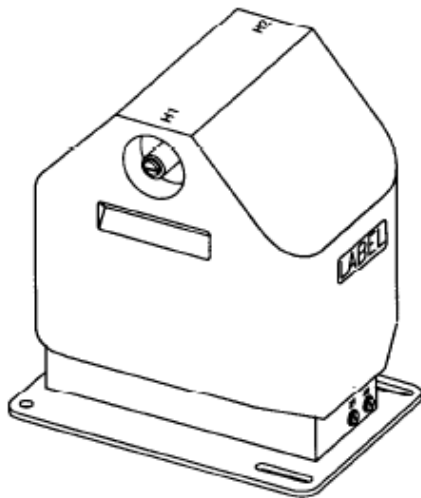
MEETS ANSI C57.13 and IEC 44-2 STANDARDS.

PARTIAL DISCHARGE TESTED TO MEET CANADIAN STANDARDS CAN3-C13-M83. (OPTIONAL TESTING TO IEC STANDARD ALSO AVAILBLE.)

PRIMARY TERMINALS ARE 3/8-16 BRASS SCREWS.  
 SECONDARY TERMINALS ARE 1/4-20 BRASS SCREWS.

A PRIMARY FUSE IS NOT SUPPLIED, BUT IS RECOMMENDED. USE A 25 kV, 0.5E RATED FUSE FOR PRIMARY RATINGS OF 13 kV OR GREATER AND 1.0E FOR THOSE RATED LESS THAN 13 kV.

A TEST CARD IS PROVIDED WITH EACH UNIT.



SUGGESTED PRIMARY TERMINAL KIT NO. 0882B06446 IS AVAILABLE AT EXTRA COST. (INCLUDES 2 EACH 3/8-16 TERMINALS, TERMINAL BOOTS AND 48" OF NO.6, 15 kV LEAD WIRE. ORDER ABOVE KIT AS A SEPARATE ITEM.)

**TWO BUSHING**

	GROUP	PRIMARY VOLTAGE (a)	RATIO	SECONDARY VOLTAGE	CATALOG NUMBER
	1	12000	100:1	120	PT6-2-125-123
1	14400	120:1	120	PT6-2-125-1442	
2	18000	150:1	120	PT6-2-125-183	
2	21000	175:1	120	PT6-2-125-213	
2	23000	191.7:1	120	PT6-2-125-233	
2	24000	200:1	120	PT6-2-125-243	
2	25000	208.3:1	120	PT6-2-125-253	

(a) Also available are other ratios and frequencies, double secondaries and units meeting IEC 44-2 rated voltage factors of 1.20 or 1.50.

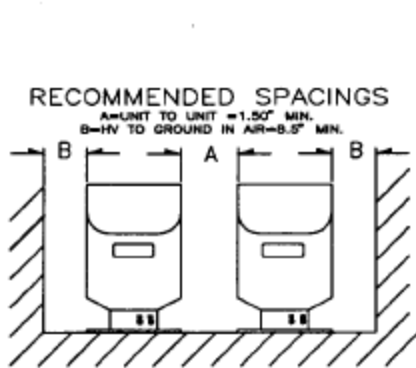
**Single Phase Potential Transformers**

**PT6-2**

UL & CSA APPROVED

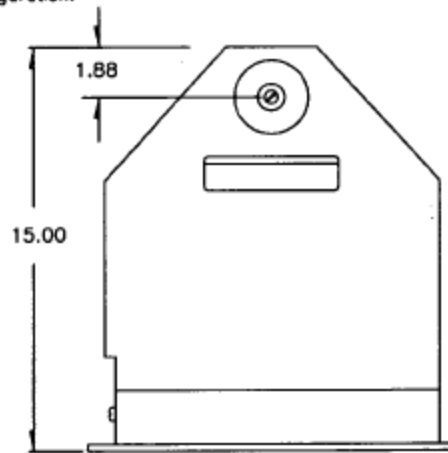
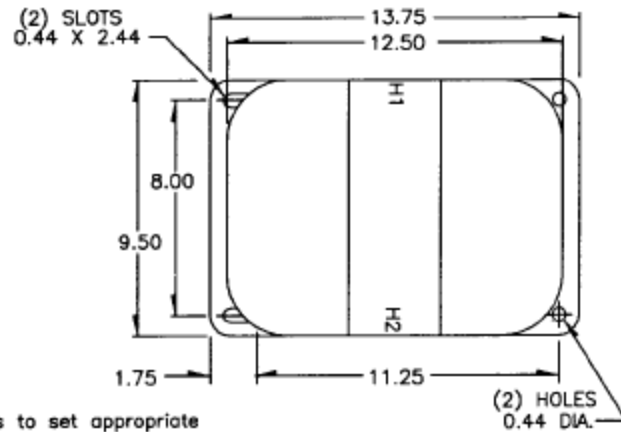
25.5 kV CLASS

1500 VA



SHOWN IN OPEN DELTA

Recommended spacings are for guidance only. User needs to set appropriate values to assure performance for: high potential test; impulse test; high humidity; partial discharge; high altitude; and other considerations like configuration.



The circle diagram can be used to predict the performance of a potential transformer for various loads and power factors. A convenient scale of volt-amperes is shown on the unity power factor line (u.p.f.) and commences at the zero or no-load locus. To use the diagram, measure the known V.A. and scribe on arc about the 'zero' locus of a length that contains the angle of the burden power factor. The point at which the arc terminates is the error locus in phase angle minutes and ratio correction factor.

**CIRCLE DIAGRAM**

