

Single Phase Potential Transformers

460

UL Recognized

600 VOLT

150 VA

Specifications

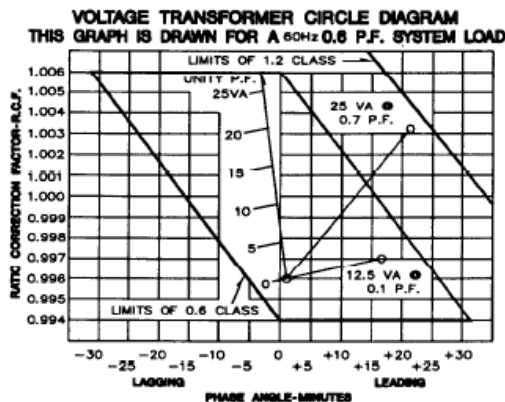
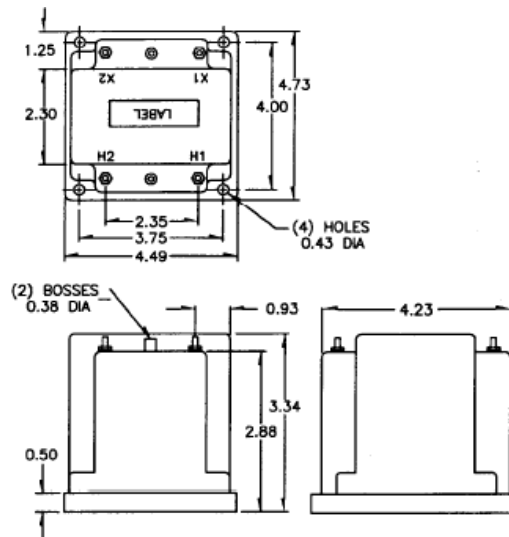
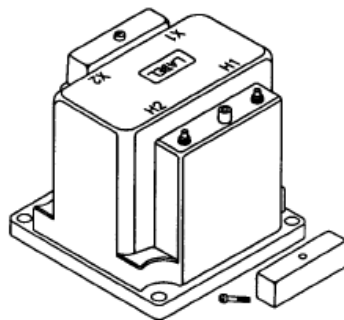
- INPUT VOLTAGE: SEE CHART
- OUTPUT VOLTAGE: 120V-60Hz (Except 50Hz Model)
- INSULATION CLASS: 600 Volts, BIL Full Wave.
- TEMPERATURE RANGE: -20 TO +55 Deg. C
- STORAGE TEMPERATURE: -40 TO +80 Deg. C
- ACCURACY CLASS: 0.6W, 1.2 x 60Hz
- BURDEN RATING: 150 VA at 30 Deg. C
100 VA at 55 Deg. C
- APPROXIMATE WEIGHT: 7.75 lbs.

Applications and Features

FOR USE IN LINE-TO-LINE OR LINE-TO NEUTRAL APPLICATIONS.

THE CORE AND COIL ASSEMBLY ARE ENCASED IN A THERMOPLASTIC SHELL AND FILLED WITH RESIN.

TERMINALS ARE 10-32 BRASS STUDS WITH LOCKWASHER. FLATWASHER AND REGULAR NUT.



MODEL	VOLTAGE RATING	TURNS RATIO	VOLTAGE	REC. PRIMARY FUSE RATING	ANSI C57.13 RATING
460-069	69.3:120	0.58:1	120-60Hz	5.0	GROUP 1
460-120	120:120	1:1	120-60Hz	4.0	GROUP 1
460-208	208:120	1.73:1	120-50Hz	2.0	GROUP 1
460-240	240:120	2:1	120-60Hz	2.0	GROUP 1
460-277	277:120	2.31:1	120-60Hz	2.0	GROUP 1
460-288	288:120	2.4:1	120-60Hz	1.5	GROUP 1
460-300	300:120	2.5:1	120-60Hz	1.5	GROUP 1
460-346	346:120	2.88:1	120-60Hz	1.5	GROUP 1
460-480	480:120	4:1	120-60Hz	1.0	GROUP 2
460-600	600:120	5:1	120-60Hz	0.75	GROUP 2

Single Phase Potential Transformers

460F & 460FF

UL Recognized

600 VOLT

150 VA

Specifications

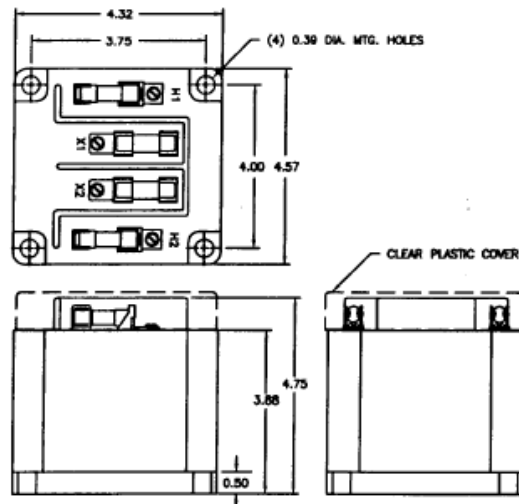
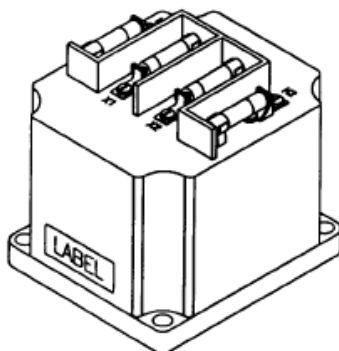
- INPUT VOLTAGE: SEE CHART
- OUTPUT VOLTAGE: 120V-60Hz (Except 50Hz Model)
- INSULATION CLASS: 600 Volts, BIL Full Wave.
- TEMPERATURE RANGE: -20 TO +55 Deg. C
- STORAGE TEMPERATURE: -40 TO +80 Deg. C
- ACCURACY CLASS: 0.6W, 1.2 x 60Hz
- BURDEN RATING: 150 VA at 30 Deg. C
100 VA at 55 Deg. C
- APPROXIMATE WEIGHT: 7.75 lbs.

Applications and Features

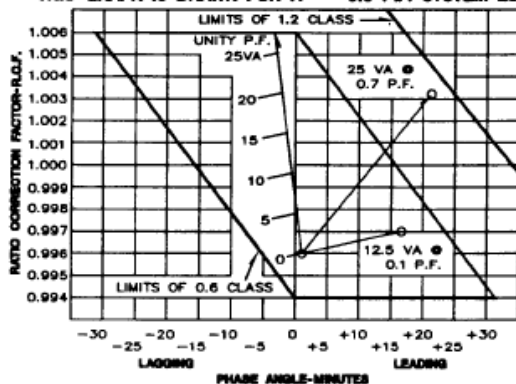
FOR USE IN LINE-TO-LINE OR LINE-TO NEUTRAL APPLICATIONS.

THE CORE AND COIL ASSEMBLY ARE ENCASED IN A THERMOPLASTIC SHELL AND FILLED WITH RESIN.

TERMINALS ARE 10-32 BRASS STUDS WITH LOCKWASHER. FLATWASHER AND REGULAR NUT.



VOLTAGE TRANSFORMER CIRCLE DIAGRAM
THIS GRAPH IS DRAWN FOR A 60Hz 0.6 P.F. SYSTEM LOAD



MODEL						
Primary Fuse	Primary & Sec. Fuses	VOLTAGE RATING	TURNS RATIO	VOLTAGE	Rec. Primary Fuse Rating	ANSI C67.13 RATING
460-069F	460-069FF	69.3:120	0.58:1	120-60Hz	5.0	GROUP 1
460-120F	460-120FF	120:120	1:1	120-60Hz	4.0	GROUP 1
460-208F	460-208FF	208:120	1.73:1	120-60Hz	2.0	GROUP 1
460-240F	460-240FF	240:120	2:1	120-60Hz	2.0	GROUP 1
460-277F	460-277FF	277:120	2.31:1	120-60Hz	2.0	GROUP 1
460-288F	460-288FF	288:120	2.4:1	120-60Hz	1.5	GROUP 1
460-300F	460-300FF	300:120	2.5:1	120-60Hz	1.5	GROUP 1
460-346F	460-346FF	346:120	2.88:1	120-60Hz	1.5	GROUP 1
460-480F	460-480FF	480:120	4:1	120-60Hz	1.0	GROUP 2
460-600F	460-600FF	600:120	5:1	120-60Hz	0.75	GROUP 2

Single Phase Potential Transformers

467

UL Recognized

600 VOLT

150 VA

Specifications

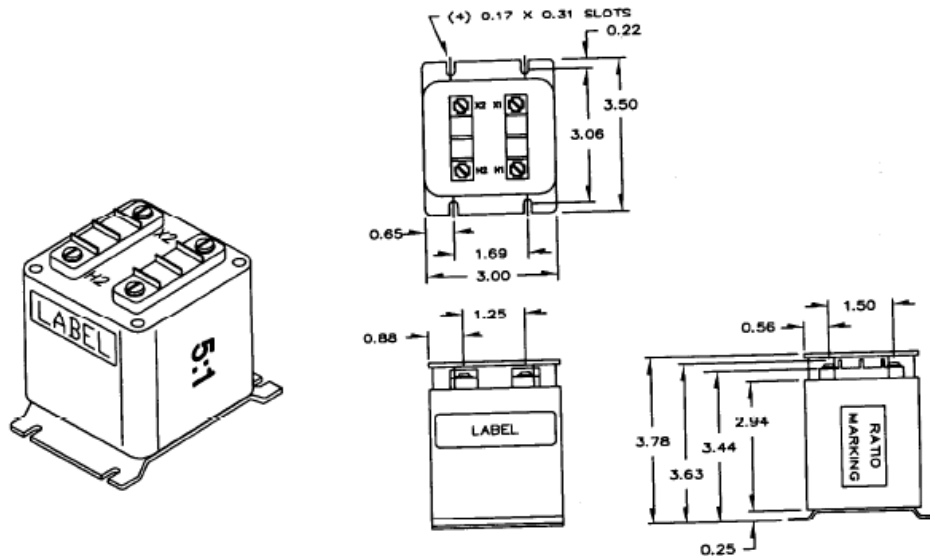
INPUT VOLTAGE: SEE CHART
OUTPUT VOLTAGE: 120V-60Hz (Except 50Hz Model)
INSULATION CLASS: 600 Volts, 10Kv BIL Full Wave.
TEMPERATURE RANGE: -20 TO +55 Deg. C
STORAGE TEMPERATURE: -40 TO +80 Deg. C
ACCURACY CLASS: +/- 1% AT BURDEN up to 5VA at 1 and 0.95 P.F.
BURDEN RATING: 40 VA at 30 Deg. C (60Hz)
APPROXIMATE WEIGHT: 2.5 lbs.

Applications and Features

FOR USE IN LINE-TO-LINE OR LINE-TO NEUTRAL APPLICATIONS.

THE CORE AND COIL ASSEMBLY ARE ENCASED IN A THERMOPLASTIC SHELL AND FILLED WITH RESIN.

TERMINALS ARE 6-32 SCREWS WITH LOCKWASHER AND FLATWASHER.



MODEL	VOLTAGE RATING	TURNS RATIO	VOLTAGE	REC. PRIMARY FUSE RATING	ANSI C57.13 RATING
467-069	69.3:120	0.58:1	120-60Hz	1.5	GROUP 1
467-120	120:120	1:1	120-60Hz	1.0	GROUP 1
467-208	208:120	1.73:1	120-50Hz	0.5	GROUP 1
467-240	240:120	2:1	120-60Hz	0.5	GROUP 1
467-277	277:120	2.31:1	120-60Hz	0.5	GROUP 1
467-288	288:120	2.4:1	120-60Hz	0.4	GROUP 1
467-300	300:120	2.5:1	120-60Hz	0.4	GROUP 1
467-346	346:120	2.88:1	120-60Hz	0.4	GROUP 1
467-480	480:120	4:1	120-60Hz	0.25	GROUP 2
467-600	600:120	5:1	120-60Hz	0.25	GROUP 2

Single Phase Potential Transformers

PT150

INDOOR & OUTDOOR

600 VOLT

150 VA

Specifications

INPUT VOLTAGE: SEE CHART
OUTPUT VOLTAGE: 120V
INSULATION CLASS: 600 Volts, 10Kv BIL Full Wave.
TEMPERATURE RANGE: -10 TO +50 Deg. C
STORAGE TEMPERATURE: -10 TO +50 Deg. C
ACCURACY CLASS: +/- 1% AT BURDEN up to 5VA at 1 and 0.95 P.F.
BURDEN RATING: 150 VA at 30 Deg. C (60Hz)
 100 VA at 55 Deg. C Amb

Applications and Features

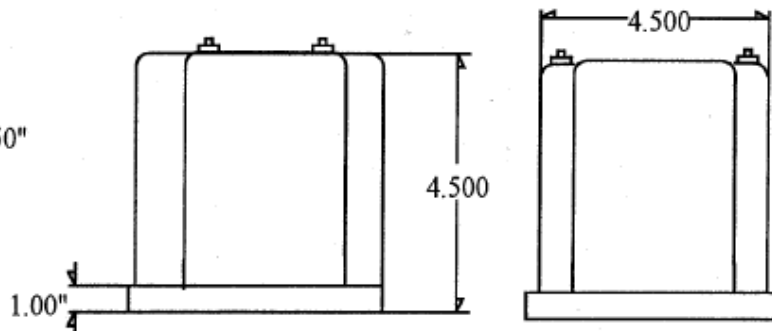
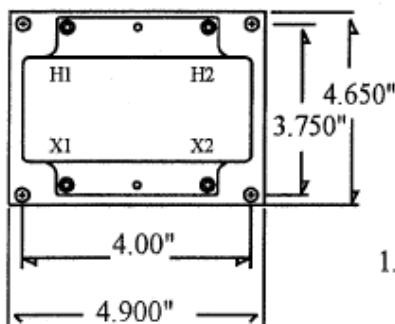
FOR USE IN LINE-TO-LINE OR LINE-TO NEUTRAL INSTALLATIONS.

THE CORE AND COIL ASSEMBLY ARE ENCAPSULATED

FOR INDOOR/OUTDOOR USE (Outdoor with an optional boot)

APPROXIMATE WEIGHT: 2.5 lbs.

(4) HOLES
0.312 DIA.



Input and output fuses are optional.

For Line-to-line add PF2 or SF2 to Model number.
 For Line-to-Neutral add PF1 or SF1 to Model number

For one primary and one secondary fuse add to end of Model the letters-PSF1. (For WYE use only)

PFx = Primary Fuses

SFx = Secondary Fuses. (X = Number of fuses)

MODEL	INPUT VOLTAGE	TURNS RATIO	LINE FREQ.	ANSI C57.13 RATING
PT150-0.58	69.4	0.58:1	60 Hz	GROUP 1
PT150-1	120	1:1	60 Hz	GROUP 1
PT150-1.73	208	11.73:1	60 Hz	GROUP 1
PT150-2	240	2:1	60 Hz	GROUP 1
PT150-2.4	288	2.4:1	60 Hz	GROUP 1
PT150-2.5	300	2.5:1	60 Hz	GROUP 1
PT150-4	480	4:1	60 Hz	GROUP 2
PT150-5	600	5:1	60 Hz	GROUP 2
PT150-3.17	380	3.17:1	50 Hz	GROUP 2

SPECIFICATIONS SUBJECT TO CHANGE WITHOUT NOTICE