

Single Phase Potential Transformers

456

UL Recognized

600 VOLT

500 VA

Specifications

INPUT VOLTAGE: SEE CHART
OUTPUT VOLTAGE: 120V-60Hz (Except 50Hz Model)
INSULATION CLASS: 600 Volts, 10kV BIL Full Wave.
TEMPERATURE RANGE: -20 TO +55 Deg. C
STORAGE TEMPERATURE: -40 TO +80 Deg. C
ACCURACY CLASS: 0.3W, X, M and 0.6Y
 Those marked with ** are 0.6 W,X,M and Y
BURDEN RATING: 500 VA at 30 Deg. C amb.
 300 VA at 55 Deg. C amb

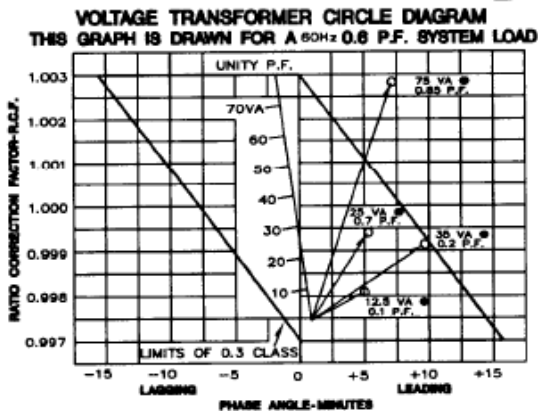
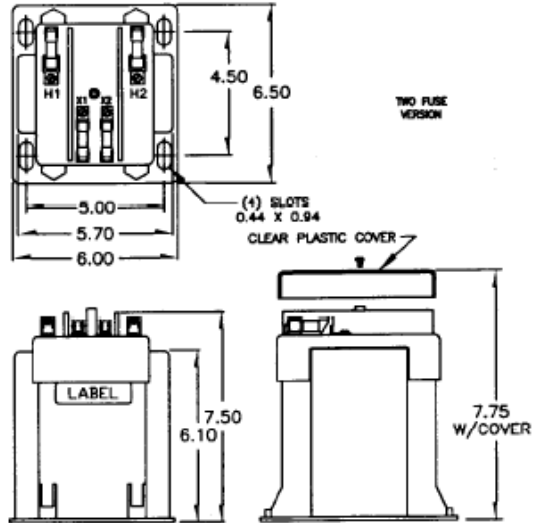
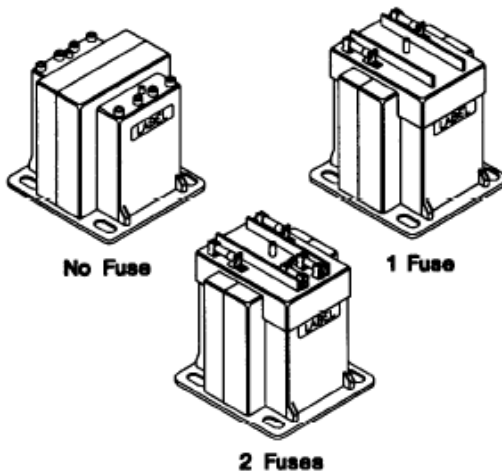
Applications and Features

FOR USE IN LINE-TO-LINE OR LINE-TO NEUTRAL APPLICATIONS.

THE CORE AND COIL ASSEMBLY ARE ENCASED IN A THERMOPLASTIC SHELL AND FILLED WITH RESIN.

TERMINALS ARE 10-32 BRASS SCREWS INTO 3/8" BRASS INSERTS FITTED WITH ONE LOCKWASHER AND FLATWASHER

APPROXIMATE WEIGHT: 18.5 lbs.



MODELS			VOLTAGE RATING	TURNS RATIO	LINF FREQ.	REC. PRIMARY FUSE RATING	ANSI C57.15 RATING
No Fuses	Primary Fuse	Primary and Secondary Fuses					
**456-069	456-069F	456-069FF	69.3:120	0.58:1	60Hz	12.0	GROUP 1
**456-120	456-120F	456-120FF	120:120	1:1	60Hz	10.0	GROUP 1
456-208	456-208F	456-208FF	208:120	1.73:1	60Hz	6.0	GROUP 1
456-240	456-240F	456-240FF	240:120	2:1	60Hz	6.0	GROUP 1
456-277	456-277F	456-277FF	277:120	2.31:1	60Hz	6.0	GROUP 1
456-288	456-288F	456-288FF	288:120	2.4:1	60Hz	5.0	GROUP 1
456-300	456-300F	456-300FF	300:120	2.5:1	60Hz	4.0	GROUP 1
456-346	456-346F	456-346FF	346:120	2.88:1	60Hz	4.0	GROUP 1
456-480	456-480F	456-480FF	480:120	4:1	60Hz	3.0	GROUP 2
456-600	456-600F	456-600FF	600:120	5:1	60Hz	2.0	GROUP 2
456-380	456-380F	456-380FF	380:120	3.17:1	50Hz	3.0	GROUP 2

Single Phase Potential Transformers

PT500

INDOOR & OUTDOOR

600 VOLT

500 VA

Specifications

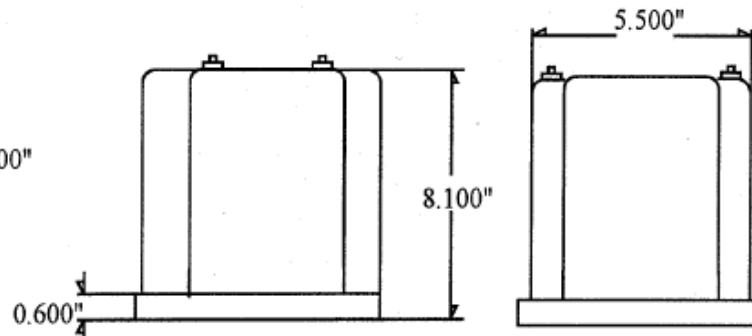
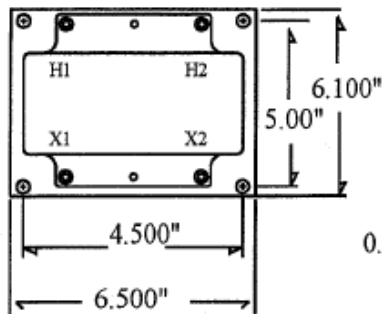
INPUT VOLTAGE: SEE CHART
OUTPUT VOLTAGE: 120V
INSULATION CLASS: 600 Volts, 10Kv BIL Full Wave.
TEMPERATURE RANGE: -10 TO +50 Deg. C
STORAGE TEMPERATURE: -10 TO +50 Deg. C
ACCURACY CLASS: +/- 1% FOR BURDENS UP TO 5VA
 at 1.0 and 0.95 POWER FACTOR
 COMPENSATES FOR +/- 0.5% AT
 0.95% P.F.
BURDEN RATING: 500 VA at 30 Deg. C (60Hz)
 300 VA at 55 Deg. C Amb

Applications and Features

FOR USE IN LINE-TO-LINE OR LINE-TO NEUTRAL INSTALLATIONS.
 THE CORE AND COIL ASSEMBLY ARE ENCAPSULATED
 FOR INDOOR/OUTDOOR USE (Outdoor with an optional boot)
 TERMINALS: 10-32 SCREWS WITH LOCKWASHER

APPROXIMATE WEIGHT: 19.0 lbs.

(4) HOLES
0.512 DIA.



Input and output fuses are optional.

For Line-to-line add PF2 or SF2 to Model number.
 For Line-to-Neutral add PF1 or SF1 to Model number

For one primary and one secondary fuse add to end of Model the letters-PSF1. (For WYE use only)

PFx = Primary Fuses

SFx = Secondary Fuses. (X = Number of fuses)

MODEL	INPUT VOLTAGE	TURNS RATIO	LINE FREQ.	ANSI C57.13 RATING
PT500-0.58	69.4	0.58:1	60 Hz	GROUP 1
PT500-1	120	1:1	60 Hz	GROUP 1
PT500-1.73	208	11.73:1	60 Hz	GROUP 1
PT500-2	240	2:1	60 Hz	GROUP 1
PT500-2.4	288	2.4:1	60 Hz	GROUP 1
PT500-2.5	300	2.5:1	60 Hz	GROUP 1
PT500-4	480	4:1	60 Hz	GROUP 2
PT500-5	600	5:1	60 Hz	GROUP 2
PT500-3.17	380	3.17:1	50 Hz	GROUP 2

SPECIFICATIONS SUBJECT TO CHANGE WITHOUT NOTICE