

**Hall-Effect Single-Phase Power**

**PWH**

0.5% ACCURACY

**Specifications**

**INPUT VOLTAGE RANGE:** FULL SCALE CONTINUOUS  
50% OVERRANGE - 3 Seconds  
(600 Volts Maximum)

**INPUT CURRENT RANGE:** FULL SCALE CONTINUOUS  
50% OVERRANGE - 3 Seconds

**LINE FREQUENCY:** 20 to 1000 Hz.

**50-60 Hz ACCURACY CLASS:** 0.5% of Full Scale

**OUTPUT OPTIONS:** 1, 5 or 10 Volt DC  
1, 10, 20 or 4-20 mADC

**OUTPUT RIPPLE:** 1% Peak-to-Peak Maximum

**ISOLATION TEST:** 1 kV - 1 Minute

**TEMPERATURE RANGE:** 0 to +50 Deg. C

**STORAGE TEMPERATURE:** -20 to +80 Deg. C

**POWER:** 120 VAC 50-60 Hz  
(120 VAC, 24, 48, 120 VDC ARE OPTIONAL)

**ENCLOSURE TYPE:** DIN RAIL TYPE 46277

**For Voltage Output:** 2.17" x 2.9" x 4.4"

**For mADC Output:** 2.95" x 2.9" x 4.4"

**Applications and Features**

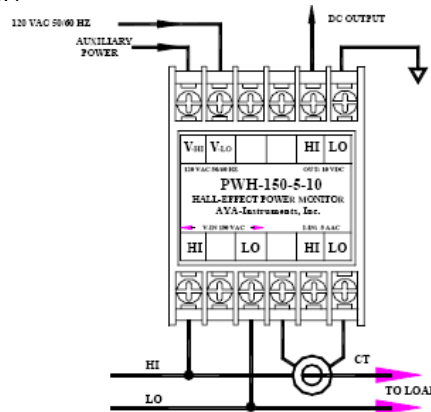
FOR CONTINUOUS MONITORING OF :  
TRUE ACTIVE POWER ( WATTS)

OUTPUT SIGNAL IS INDEPENDENT OF INPUT  
VOLTAGE AND CURRENT WAVEFORMS.

CAN BE USED WITH EXTERNAL PT'S AND CT'S.

OPTIONAL TERMINAL COVERS PROVIDE PROTECTION FROM ELECTRICAL  
SHOCK AND SHORTING.

SPECIAL INPUT and OUTPUT RANGES ARE AVAILABLE.



| SELECTION CHART |               |          |                |           |           |            |             |
|-----------------|---------------|----------|----------------|-----------|-----------|------------|-------------|
| VOLTAGE INPUT   | CURRENT INPUT | PWH-     |                |           |           |            |             |
|                 |               | 1 VDC    | 5 VDC          | 10 VDC    | 1 mADC    | 20 mADC    | 4-20 mADC   |
| 150 VAC         | 1 AAC 5       | 150-1-1  | 150-1-5 150-5- | 150-1-10  | 150-1-1M  | 150-1-20M  | 150-1-4/20  |
| 150 VAC         | AAC           | 150-5-1  | 5              | 150-5-10  | 150-5-1M  | 150-5-20M  | 150-5-4/20  |
| 150 VAC         | 25 AAC        | 150-25-1 | 150-25-5       | 150-25-10 | 150-25-1M | 150-25-20M | 150-25-4/20 |
| 300 VAC         | 1 AAC         | 300-1-1  | 300-1-5        | 300-1-10  | 300-1-1M  | 300-1-20M  | 300-1-4/20  |
| 300 VAC         | 5 AAC         | 300-5-1  | 300-5-5        | 300-5-10  | 300-5-1M  | 300-5-20M  | 300-5-4/20  |
| 300 VAC         | 25 AAC        | 300-25-1 | 300-25-5       | 300-25-10 | 300-25-1M | 300-25-20M | 300-25-4/20 |
| 600 VAC         | 1 AAC         | 600-1-1  | 600-1-5        | 600-1-10  | 600-1-1M  | 600-1-20M  | 600-1-4/20  |
| 600 VAC         | 5 AAC         | 600-5-1  | 600-5-5        | 600-5-10  | 600-5-1M  | 600-5-20M  | 600-5-4/20  |
| 600 VAC         | 25 AAC        | 600-25-1 | 600-25-5       | 600-25-10 | 600-25-1M | 600-25-20M | 600-25-4/20 |