

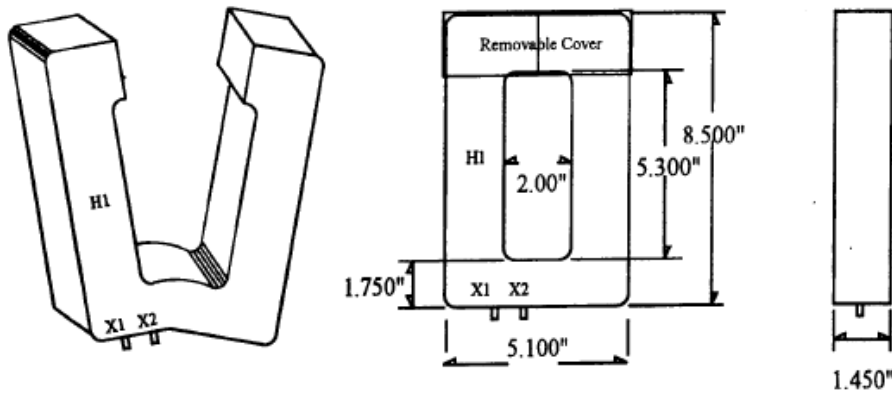



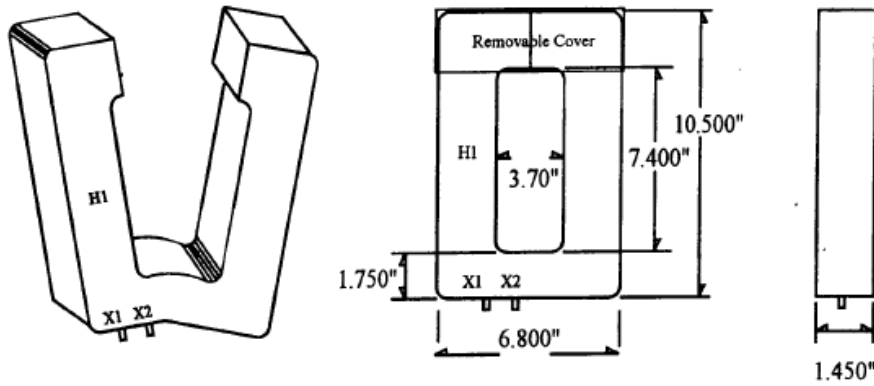
Flexible Core Current Transformers		2055FSH
INDOOR and OUTDOOR	600 VOLT	500 to 6000 AMPERES
<p>Specifications</p> <p>WINDOW DIAMETER: 2.0" x 5.30"</p> <p>INPUT CURRENT: SEE CHART</p> <p>OUTPUT CURRENT: 0 to 5 AAC</p> <p>ACCURACY CLASS AT 60H: SEE CHART</p> <p>LINE FREQUENCY: 50-400 Hz</p> <p>INSULATION LEVEL: 600 Volts, 10kV BIL FULL WAVE</p> <p>TEMPERATURE RANGE: -20 to +55 Deg. C</p> <p>RATING FACTOR: 1.33 of full scale at 30 degrees C. 1.0 of full scale at 55 degrees C.</p> <p>APPROXIMATE WEIGHT: 5 lbs.</p>	<p>Applications and Features</p> <ul style="list-style-type: none"> • FOR METERING, WATTMETER AMMETER AND RELAY USE • TERMINALS ARE BRASS No.10-32 UNC. • FULLY ENCAPSULATED • MOUNTING BRACKETS OPTIONAL • ADDITIONAL RATIOS ARE AVAILABLE. <p>Note: Not intended to be flexed more than 50% of opening Specifications subject to change without notification</p> <div style="text-align: right; margin-top: 10px;">   </div>	



2055FSH-**

CATALOG NUMBER	CURRENT RATIO	ANSI METERING CLASS AT 60 HZ			VA @ +/-1%
		B0.1	B0.2	B0.5	
** -500	500:5	2.4	4.8	-	5.0
** -600	600:5	2.4	4.8	-	5.0
** -800	800:5	2.4	2.4	-	7.5
** -1000	1000:5	1.2	1.2	2.4	10.0
** -1200	1200:5	1.2	1.2	2.4	10.0
** -1500	1500:5	0.6	1.2	1.2	15.0
** -1600	1600:5	0.6	0.6	1.2	20.0
** -2000	2000:5	0.6	0.6	1.2	20.0
** -2400	2400:5	0.6	0.6	0.6	30.0
** -2500	2500:5	0.6	0.6	0.6	30.0
** -3000	3000:5	0.6	0.6	0.6	30.0
** -3500	3500:5	0.6	0.6	0.6	30.0
** -4000	4000:5	0.6	0.6	0.6	30.0
** -5000	5000:5	0.6	0.6	0.6	35.0
** -6000	6000:5	0.6	0.6	0.6	35.0

Flexible Core Current Transformers		3775FSH
INDOOR and OUTDOOR	600 VOLT	500 to 6000 AMPERES
Specifications		Applications and Features
<p>WINDOW DIAMETER: 3.70" x 7.40"</p> <p>INPUT CURRENT: SEE CHART</p> <p>OUTPUT CURRENT: 0 to 5 AAC</p> <p>ACCURACY CLASS AT 60H: SEE CHART</p> <p>LINE FREQUENCY: 50-400 Hz</p> <p>INSULATION LEVEL: 600 Volts, 10kV BIL FULL WAVE</p> <p>TEMPERATURE RANGE: -20 to +55 Deg. C</p> <p>RATING FACTOR: 1.33 of full scale at 30 degrees C. 1.0 of full scale at 55 degrees C.</p> <p>Note: 2400:5 and up has an Rf. 1.0 @ 30 degrees C.</p> <p>APPROXIMATE WEIGHT: 5 lbs.</p>	<ul style="list-style-type: none"> • FOR METERING, WATTMETER AMMETER AND RELAY USE • TERMINALS ARE BRASS No.10-32 UNC. • FULLY ENCAPSULATED • MOUNTING BRACKETS OPTIONAL • ADDITIONAL RATIOS ARE AVAILABLE. <p>Note: Not intended to be flexed more than 50% of opening Specifications subject to change without notification</p> <div style="text-align: center;">  </div>	



CATALOG	CURRENT	ANSI METERING			VA @ +/-1%
		CLASS AT 60 HZ			
NUMBER	RATIO	B0.1	B0.2	B0.5	CLASS
** -500	500:5	2.4	4.8	-	5.0
** -600	600:5	2.4	4.8	-	5.0
** -800	800:5	2.4	2.4	-	7.5
** -1000	1000:5	1.2	1.2	2.4	10.0
** -1200	1200:5	1.2	1.2	2.4	10.0
** -1500	1500:5	0.6	1.2	1.2	15.0
** -1600	1600:5	0.6	0.6	1.2	20.0
** -2000	2000:5	0.6	0.6	1.2	20.0
** -2400	2400:5	0.6	0.6	0.6	30.0
** -2500	2500:5	0.6	0.6	0.6	30.0
** -3000	3000:5	0.6	0.6	0.6	30.0
** -3500	3500:5	0.6	0.6	0.6	30.0
** -4000	4000:5	0.6	0.6	0.6	30.0
** -5000	5000:5	0.6	0.6	0.6	35.0
** -6000	6000:5	0.6	0.6	0.6	35.0

Flexible Core Current Transformers

4011FSH

INDOOR and OUTDOOR

600 VOLT

500 to 6000 AMPERES

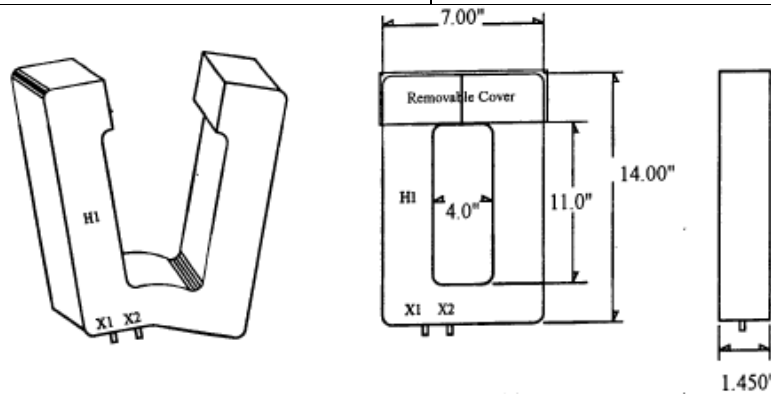
Specifications

WINDOW DIAMETER: 4.00" x 11.00"
 INPUT CURRENT: SEE CHART
 OUTPUT CURRENT: 0 to 5 AAC
 ACCURACY CLASS AT 60HZ: SEE CHART
 LINE FREQUENCY: 50-400 Hz
 INSULATION LEVEL: 600 Volts, 10kV BIL FULL WAVE
 TEMPERATURE RANGE: -20 to +55 Deg. C
 RATING FACTOR: 1.33 of full scale at 30 degrees C.
 1.0 of full scale at 55 degrees C.
 Note: 2400:5 and up has an Rf. 1.0 @ 30 degrees C.
 APPROXIMATE WEIGHT: 5 lbs.

Applications and Features

- FOR METERING, WATTMETER AMMETER AND RELAY USE
- TERMINALS ARE BRASS No.10-32 UNC.
- FULLY ENCAPSULATED
- MOUNTING BRACKETS OPTIONAL
- ADDITIONAL RATIOS ARE AVAILABLE.

Note: Not intended to be flexed more than 50% of opening
 Specifications subject to change without notification



CATALOG NUMBER	CURRENT RATIO	ANSI METERING CLASS AT 60 HZ			VA @ +/- 1% CLASS
		B0.1	B0.2	B0.5	
**500	500:5	2.4	4.8	-	1.5
**600	600:5	2.4	4.8	-	2.0
**800	800:5	2.4	2.4	-	2.5
**1000	1000:5	1.2	1.2	2.4	5.0
**1200	1200:5	1.2	1.2	2.4	7.5
**1500	1500:5	0.6	1.2	1.2	15.0
**1600	1600:5	0.6	0.6	1.2	20.0
**2000	2000:5	0.6	0.6	1.2	20.0
**2400	2400:5	0.6	0.6	0.6	30.0
**2500	2500:5	0.6	0.6	0.6	30.0
**3000	3000:5	0.6	0.6	0.6	30.0
**3500	3500:5	0.6	0.6	0.6	30.0
**4000	4000:5	0.6	0.6	0.6	30.0
**5000	5000:5	0.6	0.6	0.6	35.0
**6000	6000:5	0.6	0.6	0.6	35.0