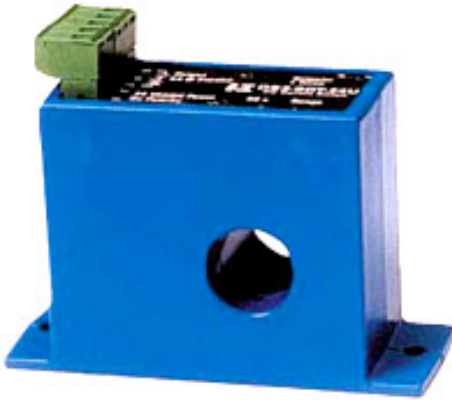


NK Technologies

Current Operated Switches

DS3 SERIES

DS3 Series Current Operated Switches combine a Hall effect sensor, signal conditioner and a limit alarm into a single package. The DS3 Series offers three jumper-selected current input ranges and frequency response from DC to 400Hz. Available in a solid-core case with choice of relay or a universal solid-state output.



Features

Compact, One-piece Design

Fits in easily amongst motor starters and power supplies in crowded control panels.

Input Isolation

Safer than shunt/relay combinations.

Output Installation

Isolated output greatly simplifies wiring.

Tough

Designed to handle harsh industrial environments.

Adaptive Hysteresis

Hysteresis is 5% of setpoint, allowing closer control than fixed hysteresis switches.

Built-in Mounting Feet

Simple, two-screw installation allows for secure mounting.

Applications

Welders and Platers

Instant indication of equipment status.

Large Drive Motors

Provides enhanced field loss protection.

Power Supplies

Signals over-current before equipment fails.

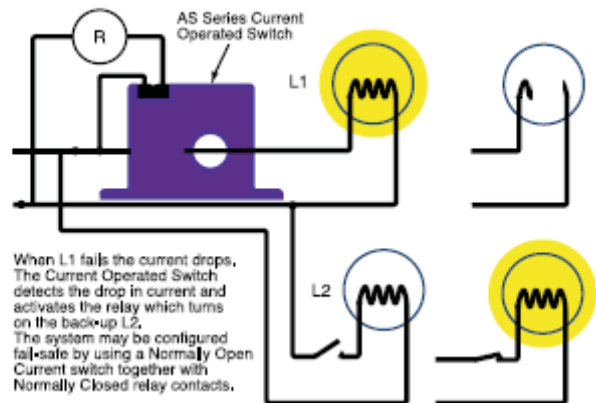
Machine Operation

Instant status of motors, lamps and other loads.

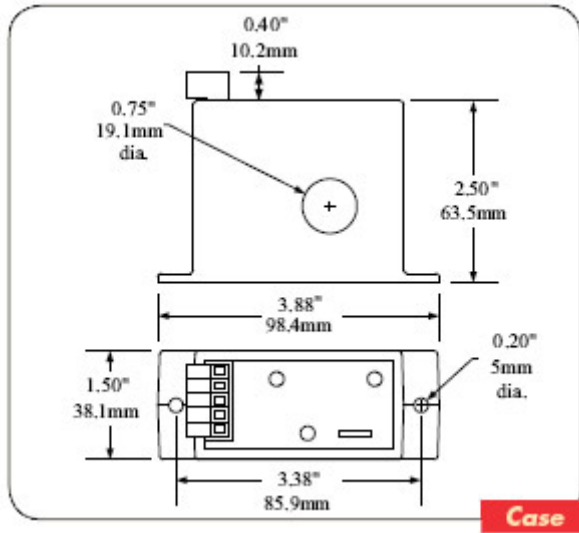
Telecom Sites

Monitors battery output.

Failure Detection



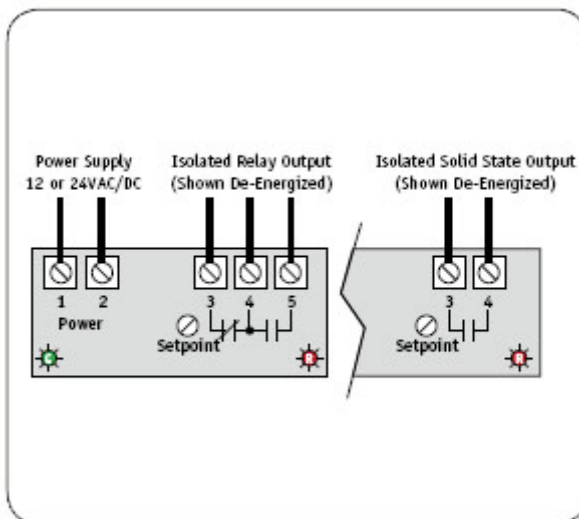
Dimensions



Specifications

Output	Isolated Dry Contact
Output Rating	<ul style="list-style-type: none"> Solid State: 0.15A @ 240VAC or VDC (N.O. Only) Relays: 5.0A @ 240VAC, 5.0A @ 30VDC (SPDT)
Off State Leakage	<10 μ A
Response Time	<ul style="list-style-type: none"> 100ms (10% above setpoint) 20ms (100% above setpoint)
Setpoint Range	<ul style="list-style-type: none"> 4–20, 10–50 and 20–100A (DC) jumper selectable (derate by $\sqrt{2}$ for AC)
Hysteresis	5% of Setpoint
Isolation Voltage	3kV
Frequency Range	DC to 400Hz
Sensing Aperture	0.75" (19.1mm) dia.
Case	UL94 V0 Flammability Rated
Environmental	<ul style="list-style-type: none"> -4 to 122°F (-20 to 50°C) 0–95% RH, non-condensing -40 to 140°F (-40 to 60°C) (Solid state output only)

Connections



Notes:

- Pressure plate screw terminals.
- 12-22 AWG solid or stranded.
- Field adjustable setpoint.

AYA Instruments

5001 Baum Blvd. Pittsburgh, PA 15213

P: 412-622-5500 – F: 412-681-3773

www.ayainstruments.com