

NK Technologies

**Current Operated Switches**

**ASXP SERIES**

ASXP Series Current Operated Switches are powered versions of our popular current switches with integral time delay. A fixed two-second delay upon trip minimizes nuisance alarms during start-up and operation in motor or heater status applications. After startup a second 0–15 second delay can be set. For use with 24VAC/DC or 120VAC supplies, this high performance product offers OEM-caliber accuracy, precision tolerances, low hysteresis and low (non-sinusoidal) frequency operation. Available with status LED and Solid core enclosure as standard.



**Features**

**Fixed Start-up/Delay Timer**

Factory calibrated trip timer set to 2 seconds to eliminate nuisance alarms due to start-up inrush or temporary over current conditions.

**Choice of N.O./N.C. Electro-mechanical Relay Output**

Contact rating of 10A @ 240VAC provides adequate switching capacity for use with most motor control systems.

**Improved Ease of Installation and Use**

Eliminates need for separate time delay relay. Choice of 24VAC/DC or 120VAC/DC supply models. LED provides indication of trip point contact status. Set point adjustable from 1–50A.

**Industrial Grade Performance**

0.5% accuracy, precise time delay set point, constant hysteresis, linear response and low frequency capability.

**Applications**

**Motor Protection**

Serves as an electronic proof-of-operation; detects current draw changes in motors when they encounter problems such as pumps running dry or pending bearing failure.

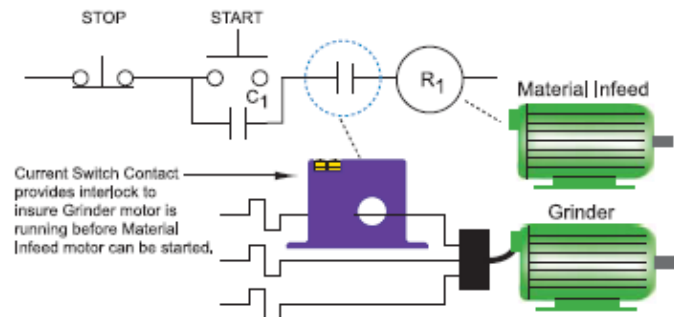
Non-intrusive, less expensive to install than differential pressure flow sensors or thermal switches.

Much quicker response time than Class 10 overload relays.

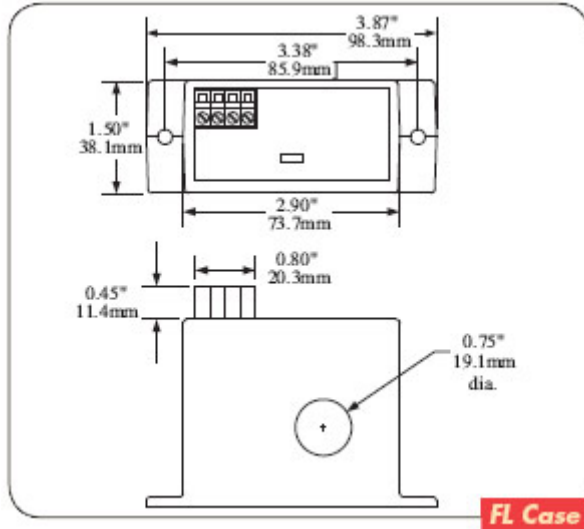
**High Inrush or Temporary Overload Current**

Factory-set two-second delay on startup eliminates nuisance trips from high inrush or short overload conditions. After startup, a second 0-15 second delay can be added.

**Safety Interlocks**



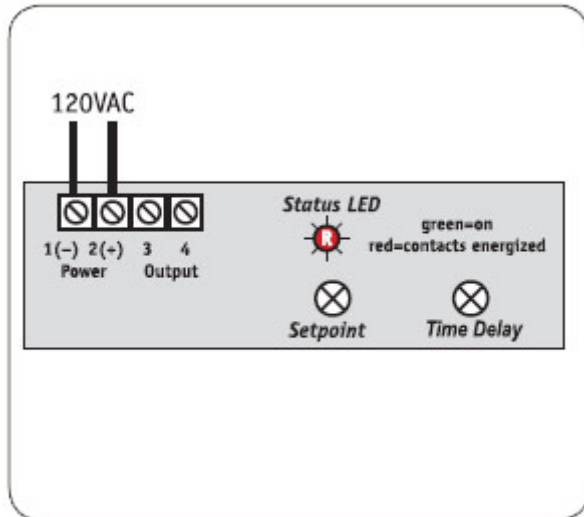
## Dimensions



## Specifications

<b>Power Supply</b>	24VAC/DC or 120VAC/VDC, (+/- 10%), 2VA max
<b>Output</b>	Electromechanical SPST Relay, Auto Reset
<b>Output Rating</b>	10A @ 240VAC
<b>Trip Point Range</b>	● ASXP1: 1-20A ● ASXP2: 20-50A
<b>Time Delay</b>	2.0 sec (fixed on startup) 0-15 sec (adjustable after startup)
<b>Max Inrush Current</b>	500A (5 second duration)
<b>Hysteresis</b>	5% (constant)
<b>Isolation Voltage</b>	1,250 VAC (monitored)
<b>Frequency Range</b>	6-100Hz
<b>Sensing Aperture</b>	0.75" (19.1mm) dia.
<b>Case</b>	UL94 V0 Flammability Rated
<b>Environmental</b>	-4 to 122°F (-20 to 50°C) 0-95%RH, non-condensing

## Connections



**AYA Instruments**  
 5001 Baum Blvd. Pittsburgh, PA 15213  
 P: 412-622-5500 – F: 412-681-3773  
[www.ayainstruments.com](http://www.ayainstruments.com)