

NK Technologies

## Current Operated Switches

## ASX SERIES

ASX Series Current Operated Switches are high performance current-operated switches with field-adjustable time delay to help minimize nuisance trips during start-up and operation. Designed for motor status applications where set point accuracy and repeatability are critical, the ASX Series offers a linear set point characteristic and constant hysteresis. Standard features include self-powering, jumper-selectable ranges and a choice of outputs and cases.



### Features

#### Adjustable Start-up/Delay Timer

Field-adjustable from 0–15 seconds to eliminate nuisance alarms due to start-up inrush or temporary over current conditions.

#### Choice of N.O./N.C. AC or Universal Outputs

Contact ratings of 1.0A @ 240VAC or universal outputs of 0.15A @ 240VAC/VDC (N.O. models) and 0.2A @ 135VAC/VDC (N.C. models) for use with most standard motor control systems.

#### Improved Ease of Installation and Use

1.0A AC rating eliminates need for time delay relay. Self-powered, split-core models simplify installation. Status LED provides visual indication of set point trip and contract action.

#### Industrial Grade Performance

Constant hysteresis and linear response characteristic enhance set point accuracy.

#### Agency Approved

UL listed, CE pending.

## Applications

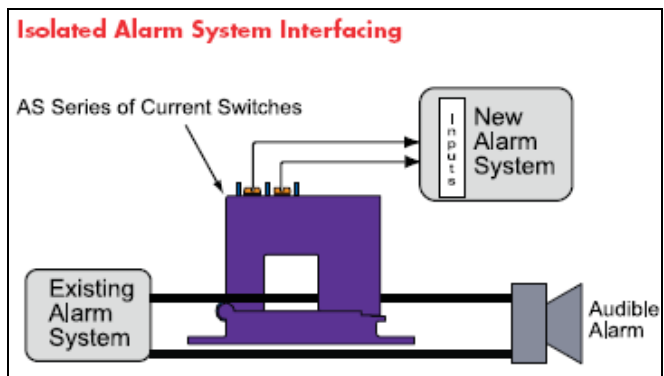
### Motor Protection

Serves as an electronic proof-of-operation; detects current draw changes in motors when they encounter problems such as pumps running dry or pending bearing failure. Non-intrusive, less expensive to install than differential pressure flow sensors or thermal switches. Much quicker response time than Class 10 overload relays.

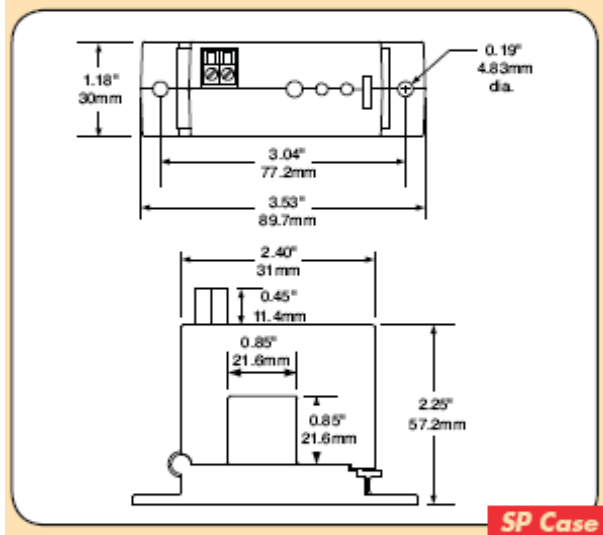
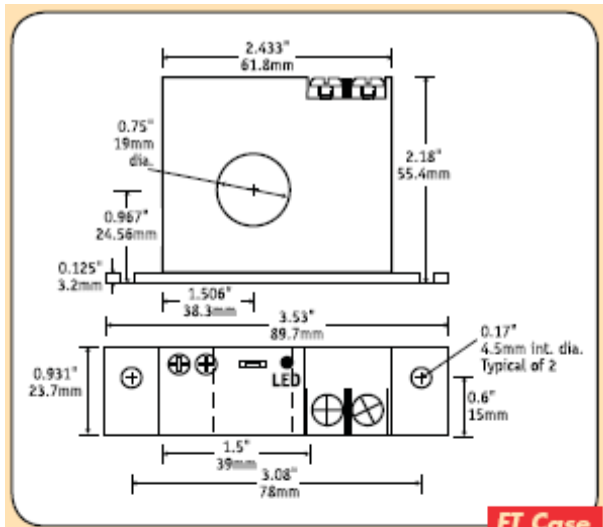
### High Inrush or Temporary Overload Current

Adjustable start-up/delay timer allows 0–15 second delay to eliminate nuisance trips from high inrush or short overload conditions.

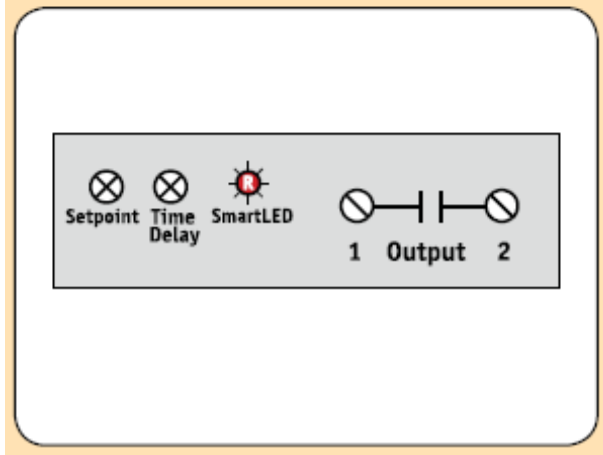
## Dimensions



## Specifications



## Connections



<b>Power Supply</b>	None—Self powered
<b>Output</b>	Isolated Solid-State Switch
<b>Output Rating</b>	<ul style="list-style-type: none"> <li>● NOAC/NCAC: 1A @ 240VAC</li> <li>● NOU: 0.15A @ 240VAC or VDC</li> <li>● NCU: 0.2A @ 135VAC or VDC</li> </ul>
<b>Off State Leakage</b>	<10 micro Amps
<b>Response Time</b>	Adjustable 0.2 to 15 Seconds
<b>Setpoint Range</b>	Jumper Selectable: 1.5–12A, 12–55A, 50–200A
<b>Hysteresis</b>	5% (constant)
<b>Overload</b>	<ul style="list-style-type: none"> <li>● 1.5–12A Range: 600A Maximum</li> <li>● 12–55A Range: 800A Maximum</li> <li>● 50–200A Range: 1,200A Maximum</li> </ul>
<b>Isolation Voltage</b>	5,000VAC (tested)
<b>Frequency Range</b>	50–100Hz
<b>Case</b>	UL94 VO Flammability Rated
<b>Environmental</b>	5 to 122°F (-15 to 50°C) 0–95%RH, non-condensing
<b>Listings</b>	UL 508 Industrial Control Equipment (USA & Canada), CE pending.



**AYA Instruments**  
 5001 Baum Blvd. Pittsburgh, PA 15213  
 P: 412-622-5500 – F: 412-681-3773  
[www.ayainstruments.com](http://www.ayainstruments.com)