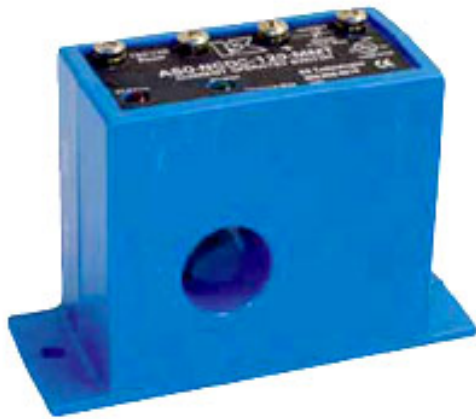


NK Technologies

Current Operated Switches

ASO SERIES

ASO Series Low-current Sensors are specialized current operated switches that combine an ultra-sensitive current transformer and signal conditioning electronics into a single package for sensing AC current from 3–350mA. Useful for signal or lamp status monitoring, detecting minute fault currents or fan proving, the ASO Series features solid-state outputs and jumper-selectable ranges, which make it a versatile choice for low-current status indication applications.



Features

Wide Range of Output Options

Dependable, solid state switch N.O. or N.C. contacts rated at 240VAC or 30VDC.

Compatible with most automation controllers.

Isolated Inputs and Outputs

Inductive sensing eliminates insertion loads on monitored circuits, effectively isolating it from the unit.

Isolated outputs simplify wiring and enhance safety.

Adjustable Setpoints

Setpoints are field adjustable from 3mA to 350mA, speeding installation and allowing for tailored applications.

UL, CUL and CE Approval

Status Alarming

Accepted worldwide.

Applications

Fan Monitoring

Fan status in heating and drying applications. Identify lamp outages or other malfunctions through changes in current consumption.

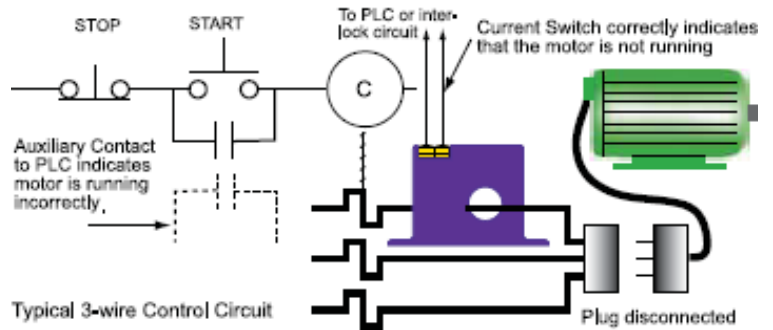
Fractional HP Motors

Ideal for monitoring small motors used in critical applications, for example, fan-proving on a crucial cooling fan.

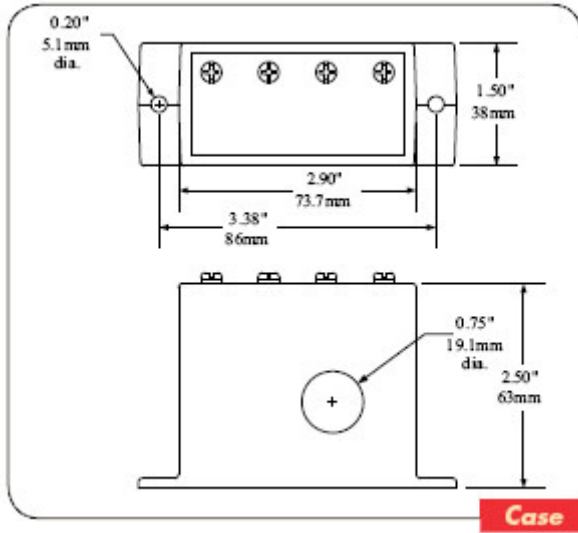
Fault Current Sensing

Detects extremely low levels of current resulting from fault conditions.

Status Alarming



Dimensions

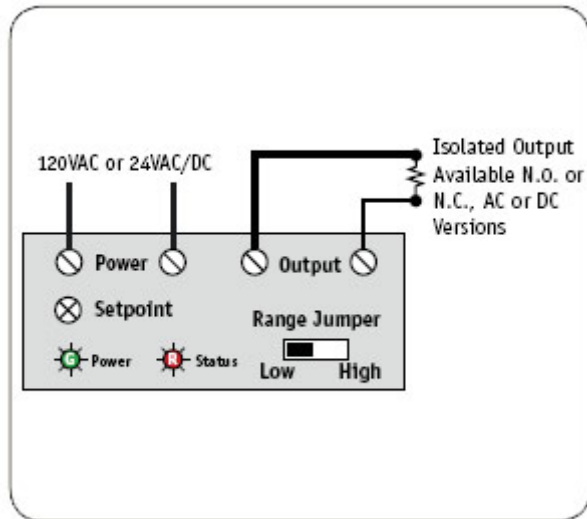


Specifications

Power Supply	Operates from +/-20% of nominal voltages
Nominal Voltages	120VAC (50-400Hz) or 24VAC/DC
Power Consumption	2.5 Watts
Output Rating	<ul style="list-style-type: none"> ● AC Version: 1A @ 240VAC ● DC Version: 0.15A @ 30VDC
Response Time	<ul style="list-style-type: none"> ● 150 ms @ 5% above setpoint ● 100 ms @ 50% above setpoint
Setpoint Range	<ul style="list-style-type: none"> ● Low Range: 3-15mA Field Adjustable ● High Range: 15-350mA Field Adjustable
Maximum Input	10A
Isolation Voltage	600VAC (Monitored Circuit)
Frequency Range	50-400Hz (Monitored Circuit)
Case	UL94 V0 Flammability Rated
Environmental	-58 to 122°F (-20 to 50°C) 0-95%RH, non-condensing
Listings	UL Listed, CSA Approved, CE Certified



Connections



Notes:

Terminals are #6 screws.

Use up to 14AWG solid or stranded.

Power connections are not polarity sensitive.

DC output connections are polarity sensitive.

AYA Instruments

5001 Baum Blvd. Pittsburgh, PA 15213

P: 412-622-5500 – F: 412-681-3773

www.ayainstruments.com