

NK Technologies

Current Transducers

AT-SERIES

AT Series Current Transducers combine a current transformer and signal conditioner into a single package. The AT Series has jumper selected current input ranges and industry standard 4–20mA, 0–5VDC or 0–10VDC outputs. The AT Series is designed for application on ‘linear’ or sinusoidal AC loads. Available in a split-core case or two types of solid-core cases.



Features

Accurate

Factory matched and calibrated single piece transducer is more accurate than traditional two-piece field installed solutions.

Average Responding

“Average Responding” algorithm gives an RMS output on pure sine waves. Perfect for constant speed (linear) loads.

Jumper Selectable Ranges

Reduces inventory.
Eliminates zero and span pots.

Isolation

Output is magnetically isolated from the input for safety.
Eliminates insertion loss (voltage drop).

UL, CUL and CE Approval

Accepted worldwide.

Applications

Automation Systems

Analog current reading for remote monitoring and software alarms.

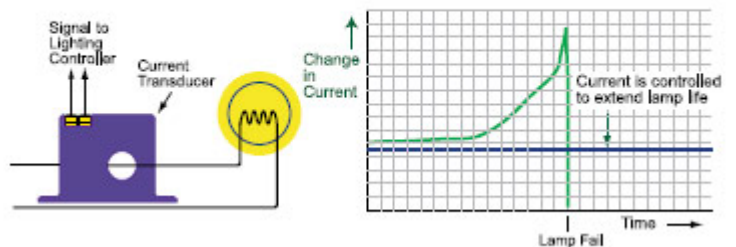
Data Loggers

Self-powered transducer helps conserve data logger batteries.

Panel Meters

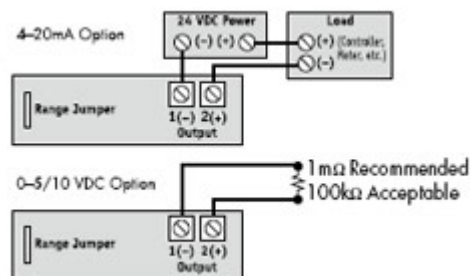
Simple connection displays power consumption.

Preventative Maintenance of a Critical Lighting System

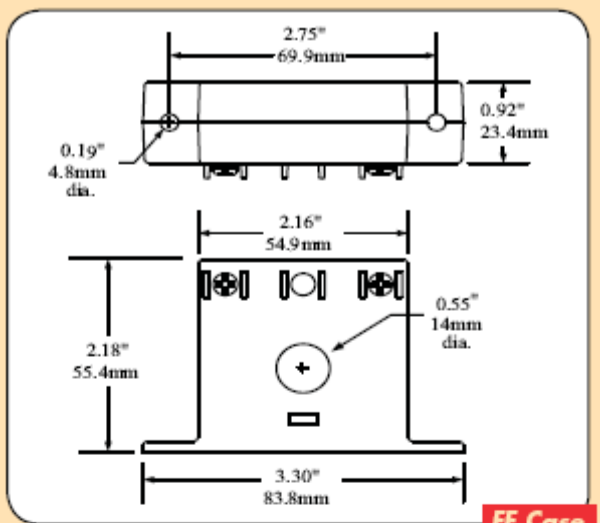


Connections

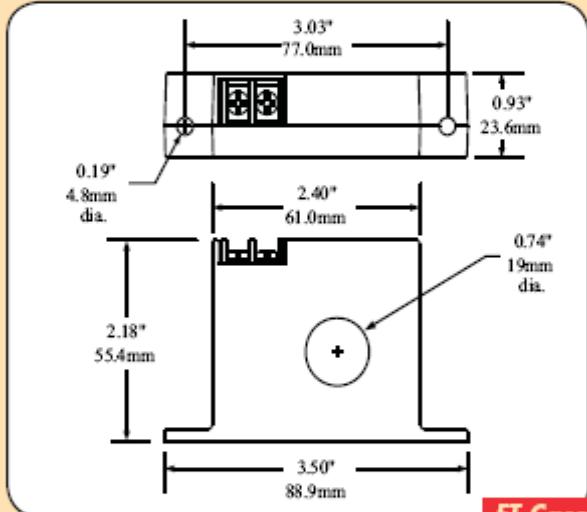
Notes: Pressure plate screw terminals.
12-22 AWG solid or stranded.
Field adjustable set point.



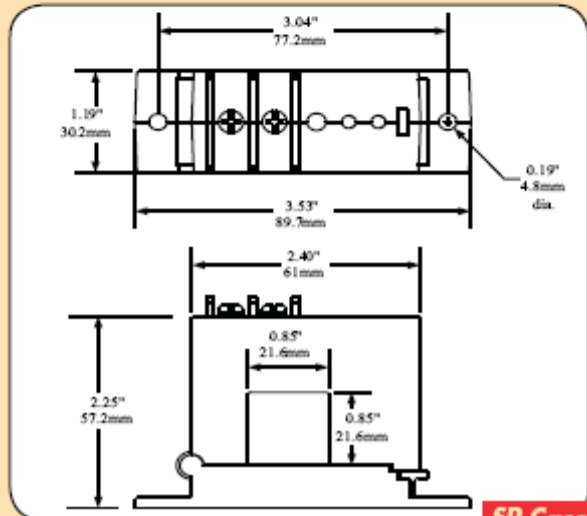
Dimensions



FF Case



FT Case



SP Case

Specifications

	-005 Model	-010 Model	-420 Model
Output Signal	0–5VDC	0–10VDC	4–20mA
Output Limit	8.2VDC	15VDC	32mA
Accuracy	1.0% FS		
Response Time (10–90% step change)	100 ms		300 ms
Frequency Range	50–60Hz		20–100Hz*
Other Frequencies	Special calibration available for any frequency from 10–400Hz*		
Power Supply	Self-powered		12–40VDC, Loop-powered
Loading	1mΩ min. for rated accuracy 100KΩ add 1.3% error		See Power Supply below
Isolation Voltage	UL listed to 1,270VAC (tested to 5KV)		
Input Ranges	Field selectable ranges from 0–200A; custom ranges available; consult factory.		
Sensing Aperture	<ul style="list-style-type: none"> ● -FF Case: 0.55" (14mm) dia. ● -FT Case: 0.74" (19mm) dia. ● -SP Case: 0.85" (21.6mm) sq. 		
Case	UL94 VO Flammability Rated		
Environmental	● -4 to 122°F (-20 to 50°C) 0–95% RH, non-condensing		
Listings	UL 508 Industrial Control Equipment (USA & Canada), CE		

*For sinusoidal waveforms only. Select ATR Transducers for distorted waveforms.



AYA Instruments

5001 Baum Blvd. Pittsburgh, PA 15213

P: 412-622-5500 – F: 412-681-3773

www.ayainstruments.com