

**Split-Core Current Transformers**

**SPC-606 and SPC-608**

FOR INDOOR OR OUTDOOR USE

**Specifications**

ACCURACY: 1% AT 50-60 Hz  
 FREQUENCY RANGE: 50-400 Hz  
 INSULATION CLASS: 0.6KV, BIL 10KV Full Wave  
 OUTPUT CABLES: TWO No. 16 AWG WIRES - 72"  
 WEIGHT (SPC-606): 4.5 Lbs. (2 Kgs.)  
 WEIGHT (SPC-608): 7.5 Lbs. (3.4 Kgs.)

THERMAL CURRENT FACTOR	At 30 Deg. C	At 55 Deg. C
Model SPC-606	1.33	1.00
Model SPC-608 up to 2000 Amps:	1.33	1.00
Model SPC-608 over 2000 Amps:	1.00	0.70

Specifications subject to change without notification

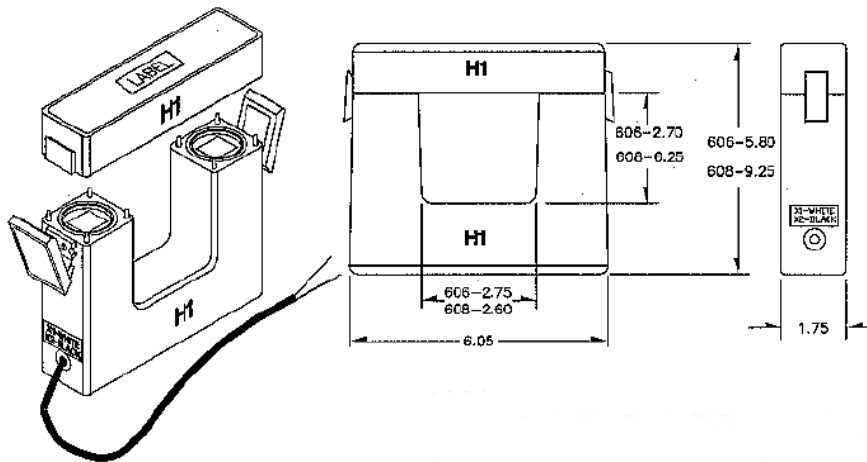
**Applications and Features**

WEATHERPROOF FOR OUTDOOR USE IN ENERGY MANAGEMENT ON EXISTING INSTALLATIONS WITHOUT THE NEED TO OPEN THE CIRCUIT.

UV STABILIZED THERMOPLASTIC FILLED WITH POLYURETHANE RESIN.

OUTPUT CABLE: TWO 16 AWG, 6-FOOT LONG

UL and CSA CERTIFIED  
 MEET IEC-185 and ANSI C57.13



SPC-606 SELECTION CHART			SPC-608 SELECTION CHART		
MODEL	CURRENT RATIO	BURDEN	MODEL	CURRENT RATIO	BURDEN
SPC-606-201	200:5	2.5 VA	SPC-608-501	500:5	6 VA
SPC-606-251	250:5	3 VA	SPC-608-601	600:5	8 VA
SPC-606-301	300:5	3.5 VA	SPC-608-801	800:5	12 VA
SPC-606-401	400:5	5 VA	SPC-608-102	1000:5	13 VA
SPC-606-501	500:5	6 VA	SPC-608-122	1200:5	14 VA
SPC-606-601	600:5	8 VA	SPC-608-152	1500:5	25 VA
SPC-606-751	750:5	10 VA	SPC-608-162	1600:5	25 VA
SPC-606-801	800:5	12 VA	SPC-608-202	2000:5	25 VA
SPC-606-102	1000:5	15 VA	SPC-608-252	2500:5	30 VA
SPC-606-122	1200:5	20 VA	SPC-608-302	3000:5	45 VA