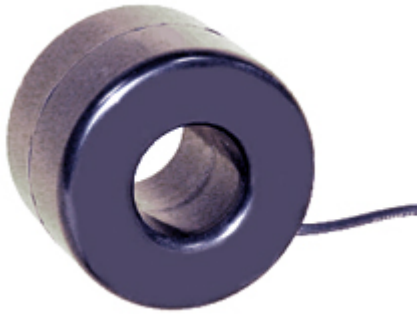


**CURRENT TRANSFORMERS**  
**Model 2DARL**

REGULATORY AGENCY APPROVALS



Manufactured to meet the requirements of ANSI/IEEE C57.13.  
Classified by U.L. in accordance with IEC 44-1



**APPLICATION:**

Ammeters , wattmeters and cross current compensation.

**FREQUENCY:**

50-400 Hz.

**INSULATION LEVEL:**

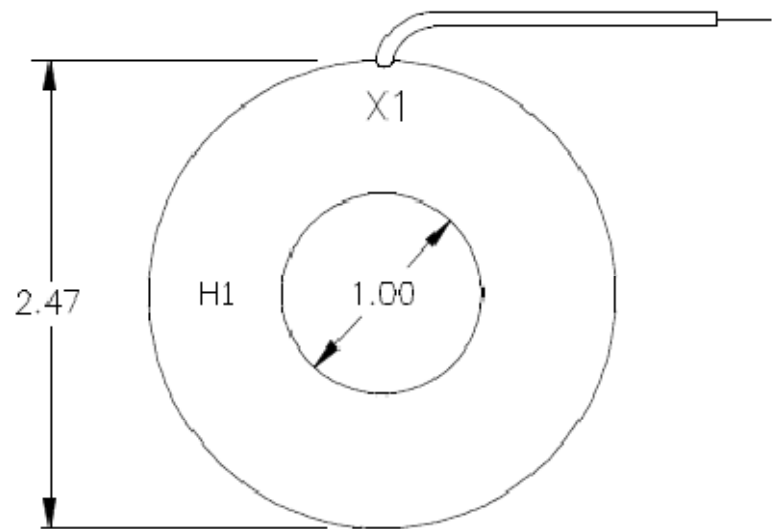
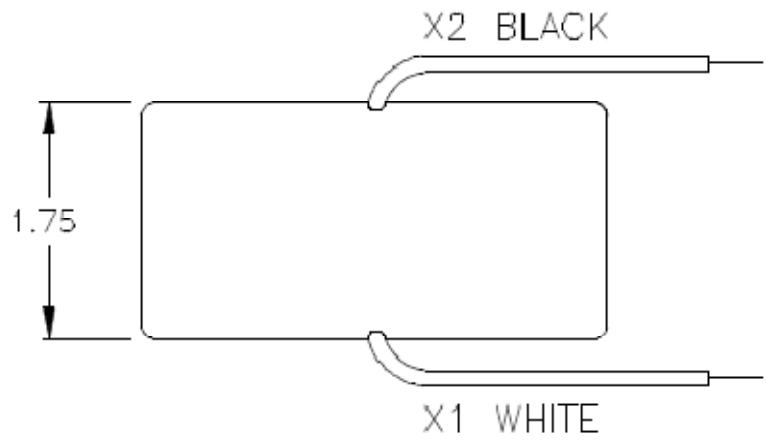
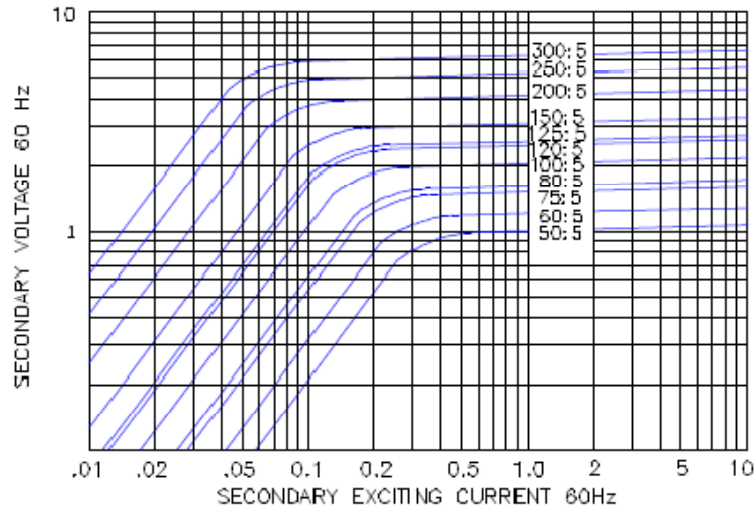
600 Volts, 10 kV BIL full wave.

Flexible leads are UL 1015, 105oC, CSA approved,  
#16 AWG, 24" long. Non-standard, lead length can be  
specified.

Approximate weight 0.9 lbs.

CATALOG NUMBER	CURRENT RATIO	V.A. ± 1% CLASS	ANSI METERING CLASS AT 60HZ					SECONDARY WINDING RESISTANCE (OHMS @ 75°C)	CONTINUOUS THERMAL RATING FACTOR	
			BO.1	BO.2	BO.5	BO.9	B1.8		@ 30°C	@ 55°C
2DARL-500	50:5	2% 2.5	4.8	—	—	—	—	0.008	2.0	2.0
2DARL-600	60:5	2.5	1.2	4.8	—	—	—	0.011	2.0	2.0
2DARL-750	75:5	3.5	1.2	2.4	—	—	—	0.015	2.0	2.0
2DARL-800	80:5	4.0	1.2	2.4	4.8	—	—	0.016	2.0	2.0
2DARL-101	100:5	5.0	1.2	2.4	4.8	—	—	0.018	2.0	2.0
2DARL-121	120:5	5.0	1.2	2.4	2.4	4.8	—	0.022	2.0	2.0
2DARL-1250	125:5	5.0	0.6	1.2	2.4	4.8	—	0.028	2.0	1.5
2DARL-151	150:5	10.0	0.6	0.6	1.2	2.4	4.8	0.031	2.0	1.5
2DARL-201	200:5	12.5	0.3	0.6	1.2	1.2	2.4	0.047	1.5	1.33
2DARL-251	250:5	15.0	0.3	0.3	0.6	1.2	2.4	0.074	1.5	1.25
2DARL-301	300:5	20.0	0.3	0.3	0.6	0.6	1.2	0.089	1.5	1.5

EXCITATION CURVE



**CURRENT TRANSFORMERS**  
**Models 10252 ARW & ASH**



**WINDOW DIAMETER: 1.00**

**INSULATION CLASS:**

**0.6kV.BIL 10kV. Full wave**

**50-400 Hz**

**APPLICATION:** With Watthour meters,  
Wattmeters and Ammeters

**Fully Encapsulated.**

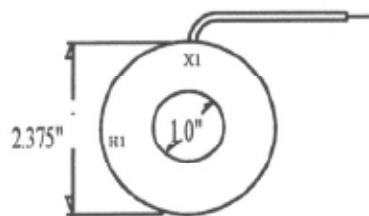
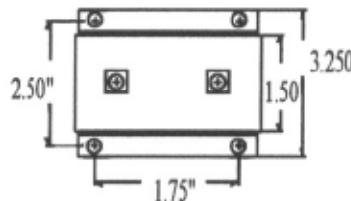
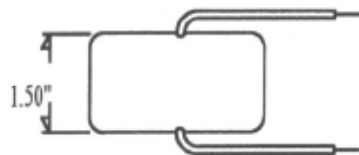
**Indoor/outdoor applications**

**CONTINUOUS THERMAL RATING:**

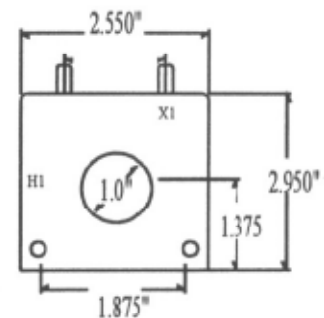
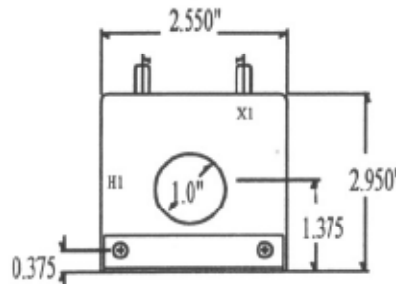
**1.33 AT 30c. amb.; 1.0 AT 55 c. amb.**

**Standard 5-amp secondary.**

**Others Available**



**10252ARW-\*\***



**10252ASH-\*\***

- Flexible Leads are UL 3173 125 degree C. CSA approved, #16 AWG 24" long.
- Non-Standard Length to be specified
- Terminals are brass or aluminum No. 8-32 UNC.
- Mounting brackets optional, order No. 1025-MBK.
- Additional ratios available
- Approximate weight 0.5lb.
- Made in United States of America  
*Similar to ITI models 2DARL*

CATALOG NUMBER	CURRENT RATIO	VA FOR +1% CLASS	ANSI METERING CLASS AT 60 Hz			
			B0.1	B0.2	B0.5	B0.9
**-.50	50:5	+2% 2.5	2.4	-	-	-
**-.60	60:5	2.5	2.4	2.4	-	-
**-.75	75:5	3.5	2.4	2.4	-	-
**-.80	80:5	4.0	1.2	2.4	-	-
**-.100	100:5	5.0	0.6	0.6	-	-
**-.120	120:5	5.0	0.6	0.6	-	-
**-.125	125:5	5.0	0.6	0.6	-	-
**-.150	150:5	10.0	0.6	0.6	2.4	-
**-.200	200:5	12.5	0.3	0.6	1.2	-
**-.250	250:5	15.0	0.3	0.6	1.2	-
**-.300	300:5	20.0	0.3	0.3	0.6	1.2