

**CURRENT TRANSFORMERS**

**Model 120**

**Window Size: 5.75"**

REGULATORY AGENCY APPROVALS  
  
 Manufactured to meet the requirements of ANSI/IEEE C57.13.  
 Classified by UL in accordance with IEC 44-1



**APPLICATION:**

Relaying and metering.

**FREQUENCY:**

50-400 Hz.

**INSULATION LEVEL:**

600 Volts, 10 kV BIL full wave.

Terminals are brass studs No. 8-32 with one flatwasher, lockwasher and regular nut.

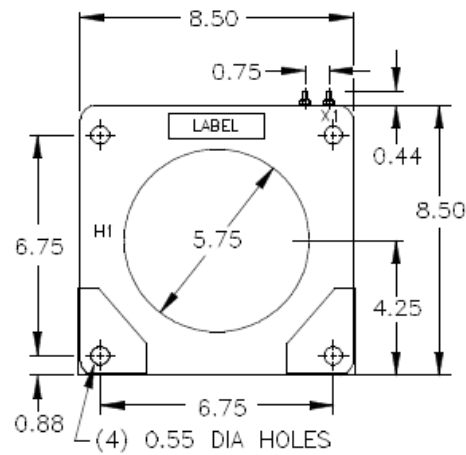
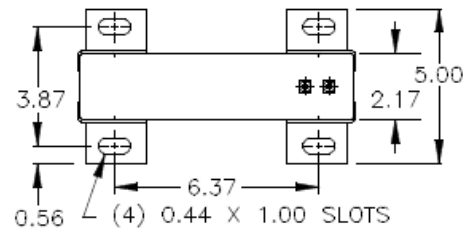
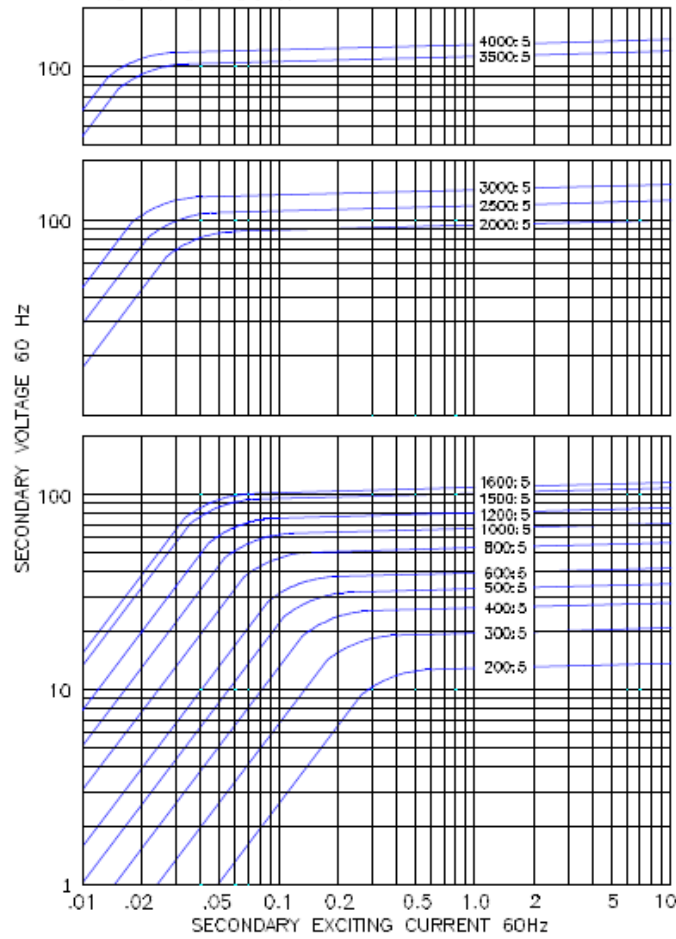
Order mounting bracket kit 0221B00185 separately.

Multi-ratios available upon request.

Approximate weight 11 lbs.

CATALOG NUMBER	CURRENT RATIO	RELAY CLASS	ANSI METERING CLASS AT 60HZ					SECONDARY WINDING RESISTANCE (OHMS @ 75°C)	CONTINUOUS THERMAL RATING FACTOR	
			BO.1	BO.2	BO.5	BO.9	B1.8		@ 30°C	@ 55°C
120-201	200:5	—	1.2	1.2	2.4	4.8	4.8	0.053	2.0	2.0
120-301	300:5 *	C10	0.3	0.3	1.2	0.6	2.4	0.063	2.0	2.0
120-401	400:5 *	C10	0.3	0.3	0.6	0.6	2.4	0.080	2.0	2.0
120-501	500:5 *	C20	0.3	0.3	0.6	0.6	1.2	0.137	2.0	2.0
120-601	600:5 *	C20	0.3	0.3	0.3	0.6	0.6	0.165	2.0	2.0
120-801	800:5 *	C20	0.3	0.3	0.3	0.3	0.6	0.220	2.0	1.5
120-102	1000:5 *	C20	0.3	0.3	0.3	0.3	0.6	0.309	1.5	1.5
120-122	1200:5 *	C50	0.3	0.3	0.3	0.3	0.3	0.371	1.5	1.33
120-152	1500:5 *	C50	0.3	0.3	0.3	0.3	0.3	0.464	1.5	1.0
120-162	1600:5 *	C50	0.3	0.3	0.3	0.3	0.3	0.494	1.33	1.0
120-202	2000:5 *	C50	0.3	0.3	0.3	0.3	0.3	0.592	1.33	1.0
120-252	2500:5 *	C50	0.3	0.3	0.3	0.3	0.3	0.740	1.0	0.8
120-302	3000:5 *	C50	0.3	0.3	0.3	0.3	0.3	0.888	1.0	0.8
120-352	3500:5	C20	0.3	0.3	0.3	0.3	0.3	0.964	1.0	0.8
120-402	4000:5 *	C50	0.3	0.3	0.3	0.3	0.3	1.102	1.0	0.8

### EXCITATION CURVE



**CURRENT TRANSFORMERS**  
**Models 57902 RH & SH**



**WINDOW SIZE: 5.75"**

**APPLICATION:** For Metering, Wattmeters, and Ammeters and Relays.

**CONTINUOUS THERMAL RATING:**  
1.33 AT 30C. amb.; 1.0 AT 55 C. amb. Average.

**CURRENT RANGE:**  
50 TO 1200 AAC

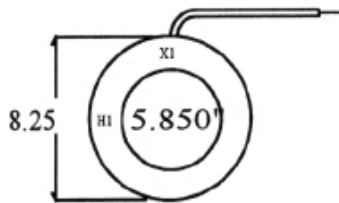
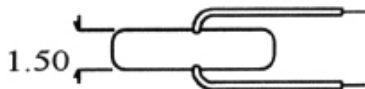
**INSULATION CLASS:**

0.6kV.BIL 10kV. Full wave

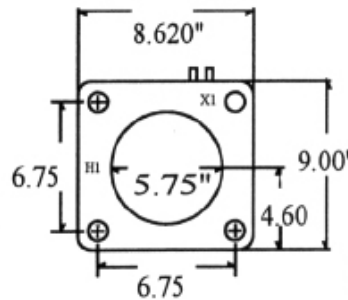
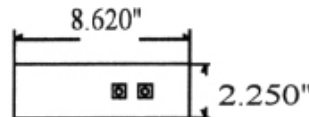
50-400 Hz

Fully Encapsulated.  
Indoor/outdoor applications

Standard 5-amp secondary.  
Others Available



Model 57902RW-\*\*



(4) MOUNT HOLES  
0.328" DIAMETER.

Model 57902SH-\*\*

- Flexible Leads are UL 3173 125 degree C. CSA approved, #16 AWG 24" long.
  - Non-Standard Length to be specified
  - Terminals are brass No. 10-32 UNC.
  - Mounting brackets optional, order No. 8111-MBK
  - Additional ratios available
  - Approximate weight 2.5 lbs.
  - Made in United States of America
- Similar to ITI model 120*

CATALOG NUMBER	CURRENT RATIO	RELAY CLASS	ANSI METERING CLASS AT 60 Hz				
			B0.1	B0.2	B0.5	B0.9	B1.8
** -600	600:5	C20	0.3	0.3	0.3	0.6	1.2
** -800	800:5	C20	0.3	0.3	0.3	0.3	0.6
** -1000	1000:5	C50	0.3	0.3	0.3	0.3	0.3
** -1200	1200:5	C50	0.3	0.3	0.3	0.3	0.3
** -1500	1500:5	C50	0.3	0.3	0.3	0.3	0.3
** -1600	1600:5	C50	0.3	0.3	0.3	0.3	0.3
** -2000	2000:5	C50	0.3	0.3	0.3	0.3	0.3
** -2500	2500:5	C50	0.3	0.3	0.3	0.3	0.3
** -3000	3000:5	C50	0.3	0.3	0.3	0.3	0.3
** -3500	3500:5	C50	0.3	0.3	0.3	0.3	0.3
** -4000	4000:5	C50	0.3	0.3	0.3	0.3	0.3