

CURRENT TRANSFORMERS
Model 19RL, 19RT, 19SHT
Window Size: 4.20" to 4.25"

REGULATORY AGENCY APPROVALS



APPLICATION:
Metering.

FREQUENCY:
50-400 Hz.

INSULATION LEVEL:
600 Volts, 10 kV BIL full wave.
SHT terminal are brass studs No. 8-32 with one flatwasher, lockwasher and regular nut.

RT terminal are brass are studs No. 10-32 with one flatwasher, lockwasher and regular nut.

Flexible leads are UL 1015, 105oC, CSA approved, #16 AWG, 24. long. Non-standard, lead length can be specified.

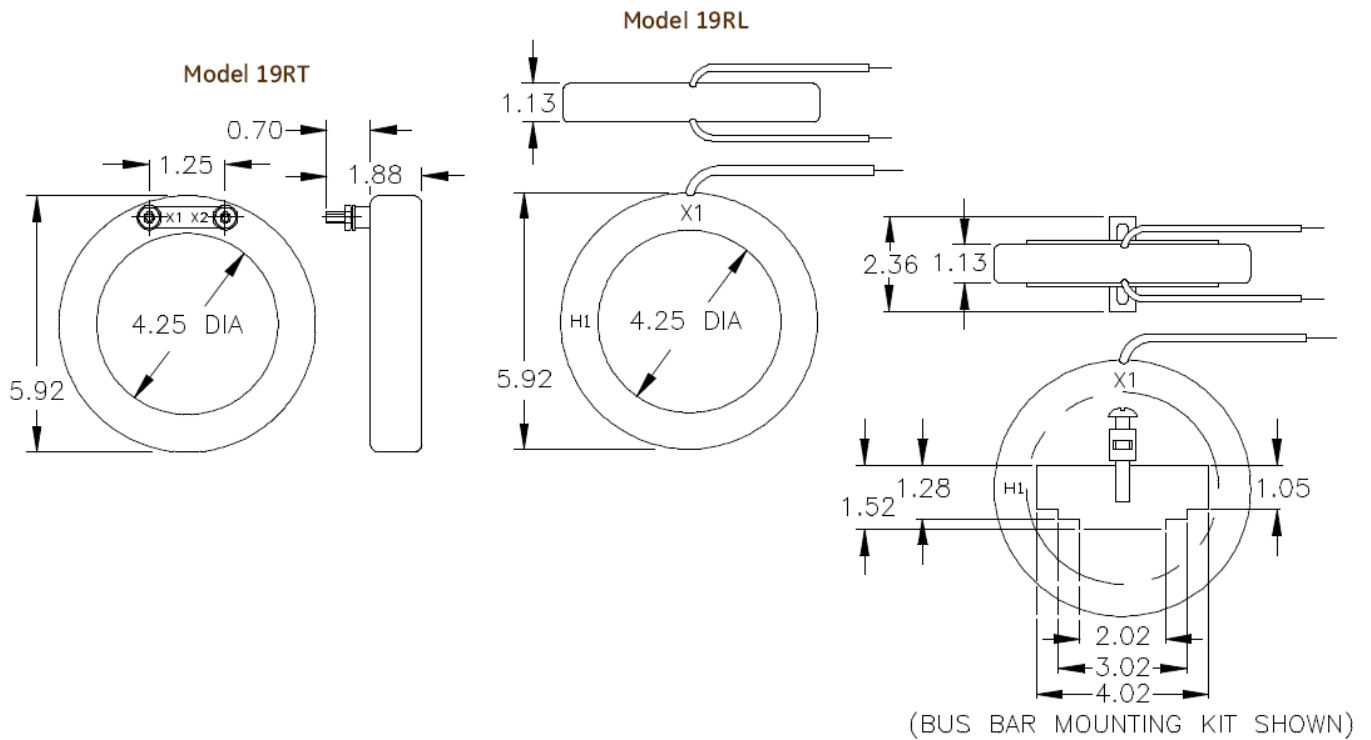
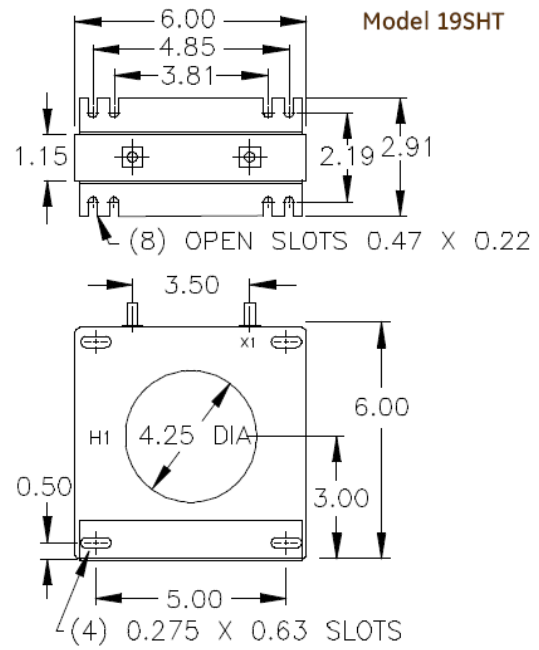
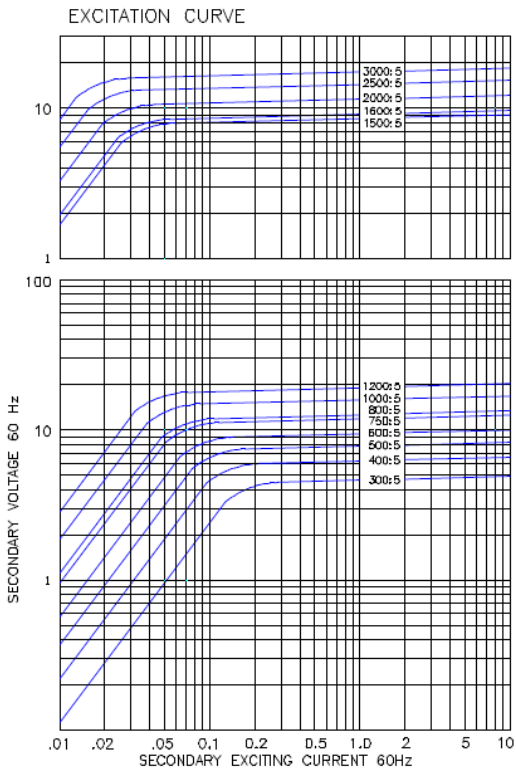
Approximate weight 3 lbs.

Order mounting bracket kit 0221B00183 separately for model 19SHT.

Order bus bar mounting kit 0221A26075 separately, factory installed.

CATALOG NUMBER	CURRENT RATIO	V.A. + 1% CLASS	ANSI METERING CLASS AT 60HZ					SECONDARY WINDING RESISTANCE (OHMS @ 75°C)	CONTINUOUS THERMAL RATING FACTOR	
			BO.1	BO.2	BO.5	BO.9	B1.8		@ 30°C	@ 55°C
19**-301	300:5	40	0.6	1.2	24	—	—	0.048	2.0	2.0
19**-401	400:5	10.0	0.3	0.6	1.2	—	—	0.064	2.0	2.0
19**-501	500:5	15.0	0.3	0.6	1.2	—	—	0.087	2.0	1.5
19**-601	600:5	15.0	0.3	0.3	0.6	1.2	—	0.116	2.0	1.5
19**-751	750:5	25.0	0.3	0.3	0.6	0.6	—	0.145	1.5	1.33
19**-801	800:5	30.0	0.3	0.3	0.6	0.6	—	0.155	1.5	1.0
19**-102	1000:5	30.0	0.3	0.3	0.6	0.6	—	0.242	1.33	1.0
19**-122	1200:5	40.0	0.3	0.3	0.3	0.6	—	0.291	1.33	1.0
19**-152	1500:5	15.0	0.3	0.3	0.6	1.2	—	0.200	1.5	1.0
19**-162	1600:5	15.0	0.3	0.3	0.3	0.6	—	0.213	1.5	1.0
19**-202	2000:5	20.0	0.3	0.3	0.3	0.6	—	0.266	1.33	1.0
19**-252	2500:5	20.0	0.3	0.3	0.3	0.3	—	0.333	1.0	0.8
19**-302	3000:5	25.0	0.3	0.3	0.3	0.3	—	0.399	1.0	0.8

**Note: When ordering, prefix Cat No. with model designation required i.e. 19RL-301, 19SHT-301, etc.



CURRENT TRANSFORMERS
Models 4260RW



WINDOW SIZE: 4.25"

INSULATION CLASS:

0.6kV.BIL 10kV. Full wave

50-400 Hz

APPLICATION: For Metering, Wattmeters, Ammeters, and Relays.

Fully Encapsulated.

CONTINUOUS THERMAL RATING:

Indoor/outdoor applications

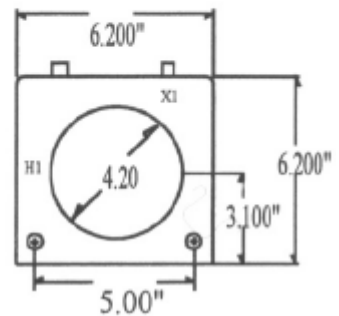
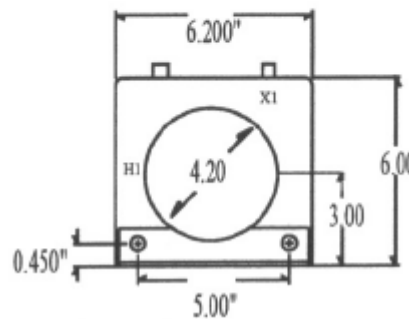
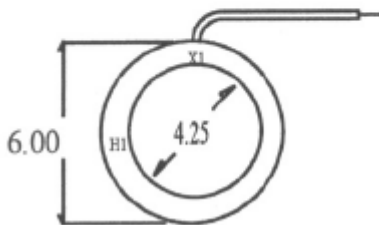
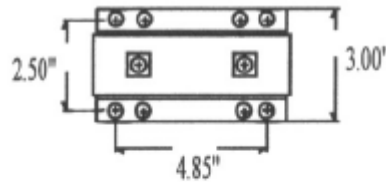
1.33 AT 30C. amb.; 1.0 AT 55 C. amb. Average.

Standard 5-amp secondary.

CURRENT RANGE:

Others Available

300 TO 3000 AAC



- Flexible Leads are UL 3173 125 degree C. CSA approved, #16 AWG 24" long.
 - Non-Standard Length to be specified
 - Terminals are brass No. 10-32 UNC.
 - Mounting brackets optional, order No. 4260-MBK.
 - Additional ratios available
 - Approximate weight 2.5 lbs.
 - Made in United States of America
- Similar to ITI models 19RL, 19SHT*

CATALOG NUMBER	CURRENT RATIO AMPERES	V.A. FOR +/- 1% CLASS	ANSI METERING CLASS AT 60Hz			
			BO.1	BO.2	BO.5	BO.9
** -300	300:5	4.0	0.6	1.2	2.4	-
** -400	400:5	10.0	0.6	0.6	1.2	-
** -500	500:5	15.0	0.3	0.6	1.2	-
** -600	600:5	15.0	0.3	0.6	1.2	2.4
** -750	750:5	25.0	0.3	0.6	0.6	1.2
** -800	800:5	30.0	0.3	0.3	0.6	0.6
** -1000	1000:5	50.0	0.3	0.3	0.3	0.6
** -1200	1200:5	50.0	0.3	0.3	0.3	0.6
** -1500	1500:5	15.0	0.3	0.3	0.3	0.6
** -1600	1600:5	25.0	0.3	0.3	0.3	0.6
** -2000	2000:5	25.0	0.3	0.3	0.3	0.6
** -2500	2500:5	40.0	0.3	0.3	0.3	0.3
** -3000	3000:5	40.0	0.3	0.3	0.3	0.3