

CURRENT TRANSFORMERS

Model 8RL, 8SHT
Window Size: 2.5"

REGULATORY AGENCY APPROVALS



E93779 LR89403
Manufactured to meet the requirements of ANSI/IEEE C57.13.
Classified by U.L. in accordance with IEC 44-1



Approximate weight 2.5 lbs.

APPLICATION:
Metering.

FREQUENCY:
50-400 Hz.

INSULATION LEVEL:
600 Volts, 10 kV BIL full wave.

Terminal are brass studs No. 8-32 with one flatwasher, lockwasher and regular nut.

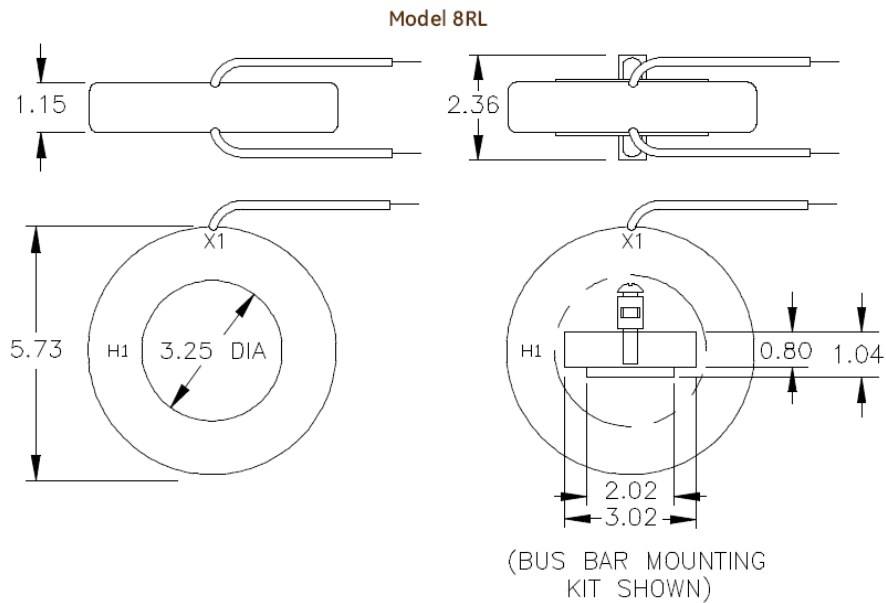
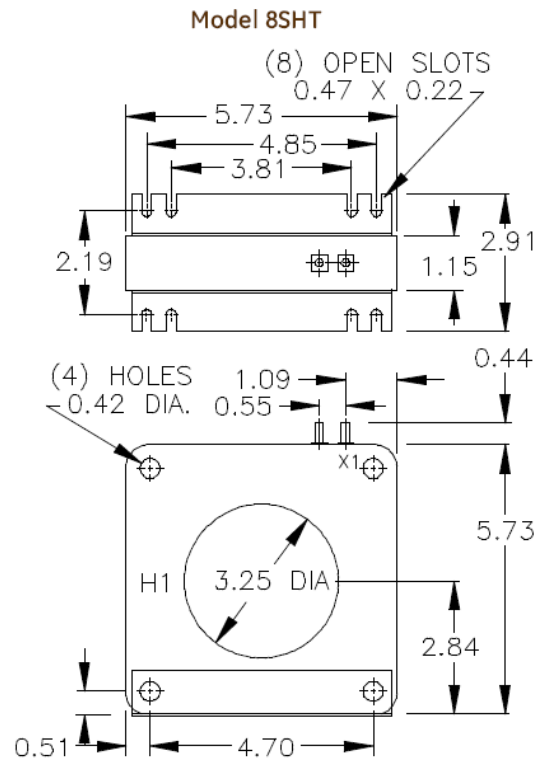
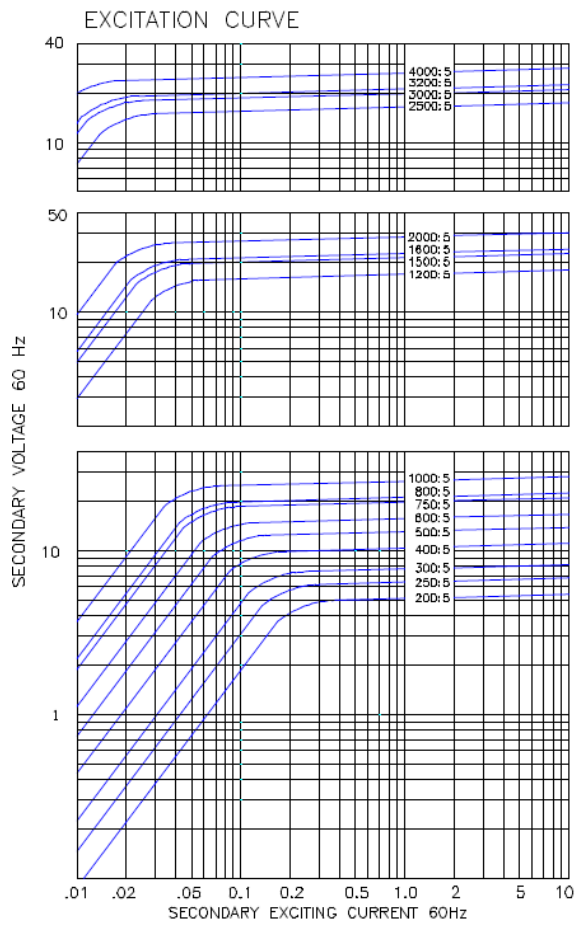
Model 8SHT also available as 8SHL with leads.

Order mounting bracket kit 022B00183 separately for model 8SHT.

Order bus bar mounting kit 0221A26074 separately, factory installed.

CATALOG NUMBER	CURRENT RATIO	V.A. ± 1% CLASS	ANSI METERING CLASS AT 60HZ					SECONDARY WINDING RESISTANCE (OHMS @ 75°C)	CONTINUOUS THERMAL RATING FACTOR	
			BO.1	BO.2	BO.5	BO.9	B1.8		@ 30°C	@ 55°C
8**-201	200:5	5.0	1.2	1.2	2.4	4.8	4.8	0.030	2.0	2.0
8**-251	250:5*	7.5	0.6	0.6	1.2	2.4	4.8	0.044	2.0	2.0
8**-301	300:5*	15.0	0.6	0.6	1.2	2.4	2.4	0.049	2.0	2.0
8**-401	400:5*	25.0	0.3	0.3	0.6	1.2	2.4	0.079	2.0	1.5
8**-501	500:5*	35.0	0.3	0.3	0.6	0.6	1.2	0.102	2.0	1.5
8**-601	600:5*	50.0	0.3	0.3	0.6	0.6	1.2	0.147	1.5	1.33
8**-751	750:5*	50.0	0.3	0.3	0.6	0.6	1.2	0.184	1.5	1.0
8**-801	800:5*	60.0	0.3	0.3	0.3	0.6	0.6	0.197	1.5	1.0
8**-102	1000:5*	75.0	0.3	0.3	0.3	0.6	0.6	0.246	1.33	1.0
8**-122	1200:5*	75.0	0.3	0.3	0.3	0.3	0.6	0.169	1.5	1.0
8**-152	1500:5*	90.0	0.3	0.3	0.3	0.3	0.6	0.316	1.33	1.0
8**-162	1600:5*	100.0	0.3	0.3	0.3	0.3	0.6	0.337	1.33	0.8
8**-202	2000:5*	120.0	0.3	0.3	0.3	0.3	—	0.422	1.0	0.8
8**-252	2500:5*	50.0	0.3	0.3	0.3	0.3	—	0.438	1.0	0.8
8**-302	3000:5	60.0	0.3	0.3	0.3	0.3	—	0.526	1.0	0.8
8**-322	3200:5	70.0	0.3	0.3	0.3	0.3	—	0.561	1.0	0.8
8**-402	4000:5	80.0	0.3	0.3	0.3	0.3	—	0.973	0.8	0.8

**Note: When ordering, prefix Cat No. with model designation required i.e. 8SHT-201, 8RL-301, etc.
*Approved for revenue metering by Industry Canada No. T-188



CURRENT TRANSFORMERS
Models 3360RW , 3360SH



WINDOW SIZE: 3.25"

INSULATION CLASS:

0.6kV.BIL 10kV. Full wave

50-400 Hz

APPLICATION: For Ammeters, Watthour Meters, Wattmeters, Relays.

Fully Encapsulated.

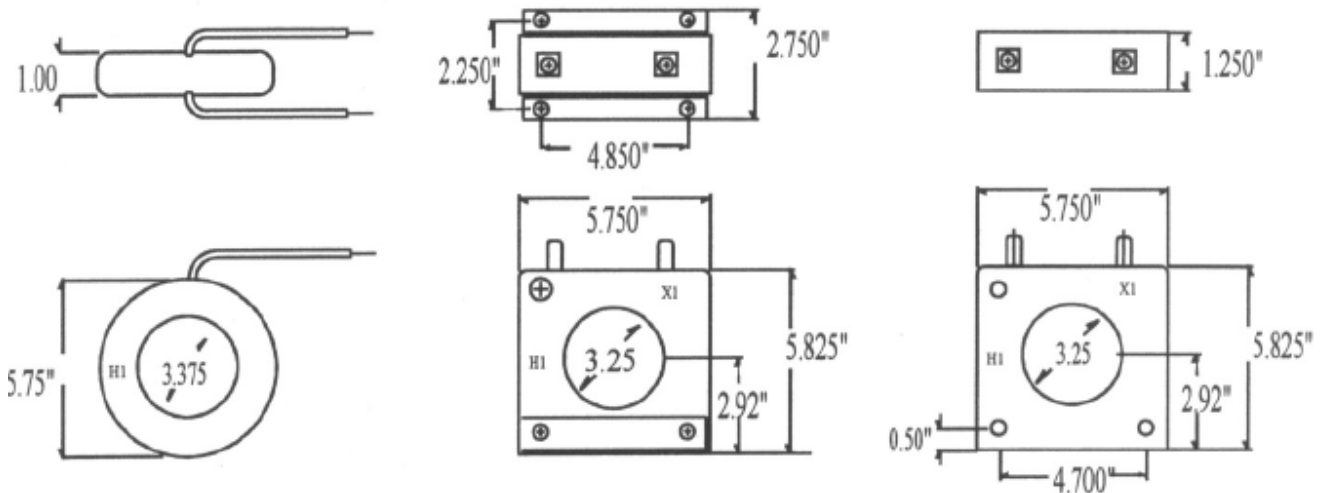
Indoor/outdoor applications

CONTINUOUS THERMAL RATING:
1.33 AT 30C. amb.; 1.0 AT 55 C. amb.

Standard 5-amp secondary.

Others Available

CURRENT RANGE:
200 TO 4000 AAC



- Flexible Leads are UL 3173 125 degree C. CSA approved, #16 AWG 24" long.
- Non-Standard Length to be specified
- Terminals are brass No. 10-32 UNC.
- Mounting brackets optional, order No. 3360-MBK.
- Additional ratios available
- Approximate weight 3 lbs.
- Made in United States of America

Similar to ITI models SRL, SSFT & SSHT

CATALOG NUMBER	CURRENT RATIO AMPERES	V.A. FOR +- 1% CLASS	ANSI METERING CLASS AT 60 Hz				
			BO.1	BO.2	BO.5	BO.9	B1.8
**300	300:5	15.0	0.6	0.6	1.2	2.4	-
**400	400:5	25.0	0.3	0.6	1.2	1.2	-
**500	500:5	35.0	0.3	0.3	0.6	1.2	2.4
**600	600:5	50.0	0.3	0.3	0.6	1.2	1.2
**750	750:5	50.0	0.3	0.3	0.3	0.6	1.2
**800	800:5	60.0	0.3	0.3	0.3	0.6	1.2
**1000	1000:5	75.0	0.3	0.3	0.3	0.6	0.6
**1200	1200:5	75.0	0.3	0.3	0.3	0.6	0.6
**1500	1500:5	90.0	0.3	0.3	0.3	0.6	0.6
**1600	1600:5	100.0	0.3	0.3	0.3	0.6	0.6
**2000	2000:5	100.0	0.3	0.3	0.3	0.3	0.3
**2500	2500:5	100.0	0.3	0.3	0.3	0.3	0.3
**3000	3000:5	120.0	0.3	0.3	0.3	0.3	0.3
**3500	3500:5	120.0	0.3	0.3	0.3	0.3	0.3
**4000	4000:5	120.0	0.3	0.3	0.3	0.3	0.3