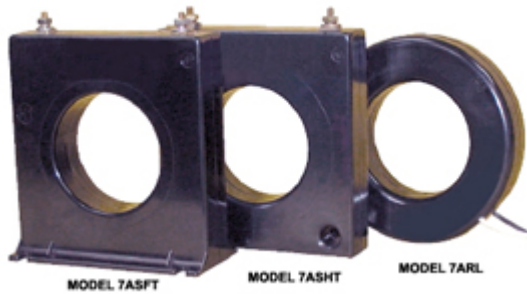


**CURRENT TRANSFORMERS**  
**Model 7ASHT, 7ARL, 7ASFT,**  
**Window Size: 2.5"**

REGULATORY AGENCY APPROVALS



E93779 LR89403  
Manufactured to meet the requirements of ANSI/IEEE C57.13.  
Classified by U.L. in accordance with IEC 44-1



**APPLICATION:**

Ammeters and wattmeters.

**FREQUENCY:**

50-400 Hz.

**INSULATION LEVEL:**

600 Volts, 10 kV BIL full wave.

Terminal are brass studs No. 8-32 with one flatwasher, lockwasher and regular nut.

Order mounting bracket kit 0221B00182  
Separately for model 7ASHT.

Flexible leads are UL 1015, 105oC, CSA approved,  
#16 AWG, 24. long.

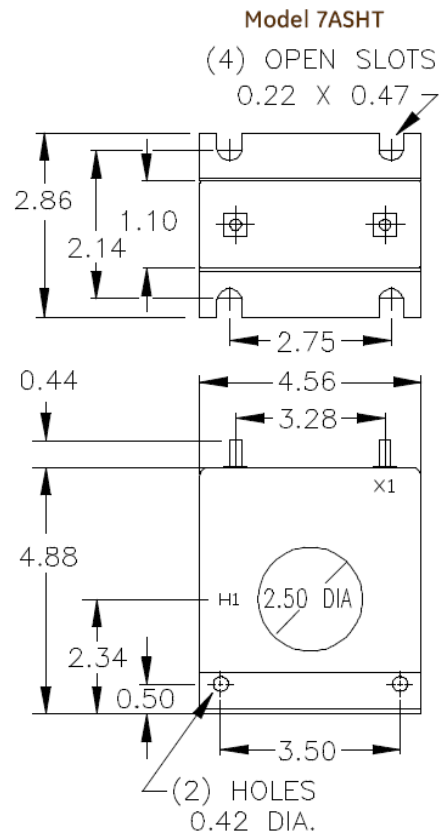
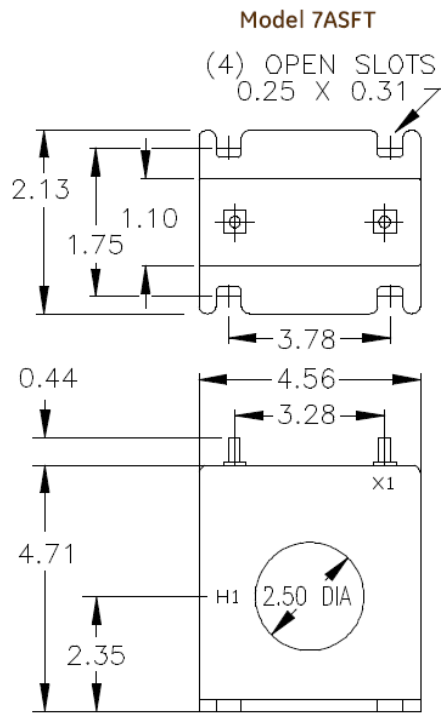
Model 7ASHT and model 7ASFT also available  
as 7ASHL and 7ASFL with leads.

Non-standard, lead length can be specified.

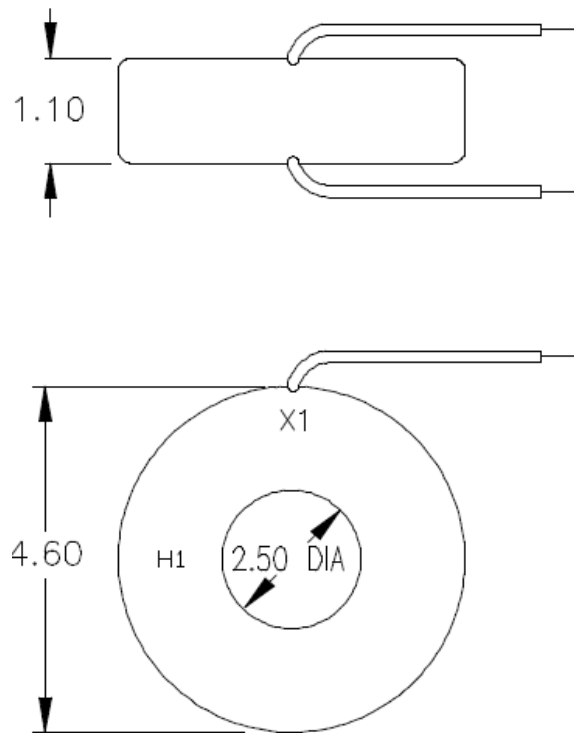
Approximate weight 1.5 lbs.

CATALOG NUMBER	CURRENT RATIO	V.A. ± 1% CLASS	ANSI METERING CLASS AT 60HZ					SECONDARY WINDING RESISTANCE (OHMS @ 75°C)	CONTINUOUS THERMAL RATING FACTOR	
			BO.1	BO.2	BO.5	BO.9	B1.8		@ 30°C	@ 55°C
7A**-101	100:5	1.0	2.4	4.8	—	—	—	0.014	2.0	2.0
7A**-151	150:5	2.5	1.2	2.4	4.8	4.8	—	0.025	2.0	2.0
7A**-201	200:5	5.0	0.6	1.2	2.4	4.8	4.8	0.035	2.0	2.0
7A**-251	250:5	7.5	0.3	0.6	1.2	2.4	4.8	0.043	2.0	2.0
7A**-301	300:5	12.5	0.3	0.6	1.2	2.4	2.4	0.052	2.0	1.5
7A**-401	400:5	15.0	0.3	0.3	0.6	1.2	2.4	0.069	2.0	1.5
7A**-501	500:5	25.0	0.3	0.3	0.6	1.2	1.2	0.108	1.5	1.0
7A**-601	600:5	30.0	0.3	0.3	0.6	0.6	1.2	0.130	1.5	1.0
7A**-751	750:5	30.0	0.3	0.3	0.3	0.6	0.6	0.163	1.33	1.0
7A**-801	800:5	35.0	0.3	0.3	0.3	0.6	0.6	0.173	1.33	1.0
7A**-102	1000:5	35.0	0.3	0.3	0.3	0.6	0.6	0.157	1.33	1.0
7A**-122	1200:5	40.0	0.3	0.3	0.3	0.3	0.6	0.234	1.0	1.0
7A**-152	1500:5	50.0	0.3	0.3	0.3	0.3	0.6	0.292	1.0	0.8
7A**-162	1600:5	50.0	0.3	0.3	0.3	0.3	0.6	0.312	1.0	0.8

\*\*Note: When ordering, prefix Cat No. with model designation required i.e. 7ASHT-201, 7ARL-301, etc.



**Model 7ARL**



**CURRENT TRANSFORMERS**  
**Models 2547 RW, SB & SH**



**WINDOW SIZE: 2.50"**

**INSULATION CLASS:**

0.6kV.BIL 10kV. Full wave

50-400 Hz

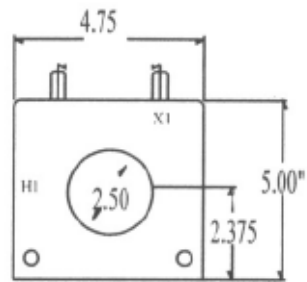
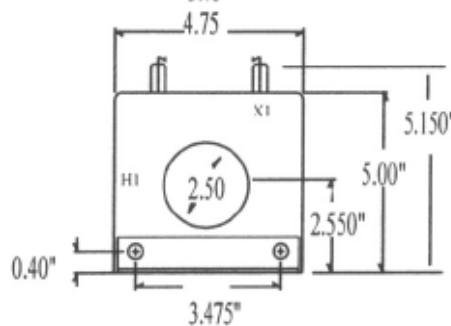
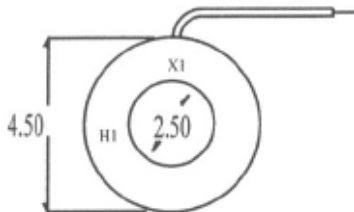
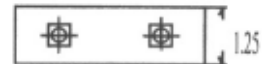
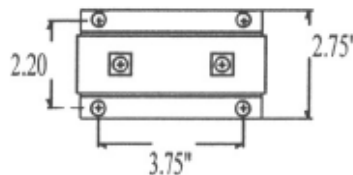
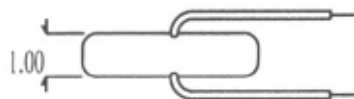
**APPLICATION:** With Wattmeters and  
Ammeters

**Fully Encapsulated.**  
Indoor/outdoor applications

**CONTINUOUS THERMAL RATING:**  
1.33 AT 30C. amb.; 1.0 AT 55 C. amb. Average.

**Standard 5-amp secondary.**  
Others Available

**CURRENT RANGE:**  
100 TO 1600 AAC



- Flexible Leads are UL 3173 125 degree C. CSA approved, #16 AWG 24" long.
  - Non-Standard Length to be specified
  - Terminals are brass No. 10-32 UNC.
  - Mounting brackets optional, order No. 10-32 UNC.
  - Additional ratios available
  - Approximate weight 1.5lb.
  - Made in United States of America
- Similar to ITI models 7RL, 7SF, 7SHT*

CATALOG NUMBER	CURRENT RATIO	ACCURACY AT 60 Hz	BURDEN VA at 60 Hz
**100	100:5	+2%	2.5
**150	150:5	+1%	5.0
**200	200:5	+1%	5.0
**250	250:5	+1%	5.0
**300	300:5	+1%	12.5
**400	400:5	+1%	15.0
**500	500:5	+1%	25.0
**600	600:5	+1%	30.0
**750	750:5	+1%	30.0
**800	800:5	+1%	35.0
**1000	1000:5	+1%	30.0
**1200	1200:5	+1%	35.0
**1500	1500:5	+1%	40.0
**1600	1600:5	+1%	45.0