

CURRENT TRANSFORMERS

Model 567TL, 567TS

Window Size 4.75" x 3.75"

REGULATORY AGENCY APPROVALS



E93779 LR89403
Manufactured to meet the requirements of ANSI/IEEE C57.13.
Classified by U.L. in accordance with IEC 44-1



TL Style

TS Style

APPLICATION:

Metering.

FREQUENCY:

50-400 Hz.

INSULATION LEVEL:

600 Volts, 10 kV BIL full wave.

CONTINUOUS THERMAL

CURRENT RATING FACTOR:

1.33 at 30°C. amb., 1.0 at 55°C. amb.

TL-Terminals are brass studs No. 10-32 with one flatwasher, lockwasher and regular nut.

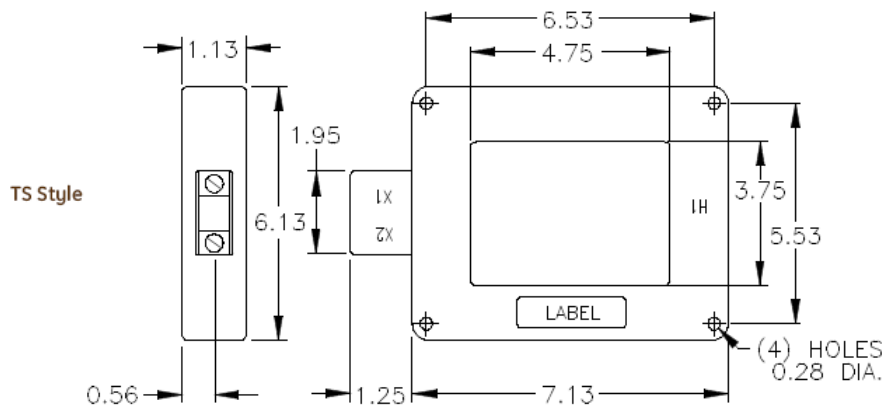
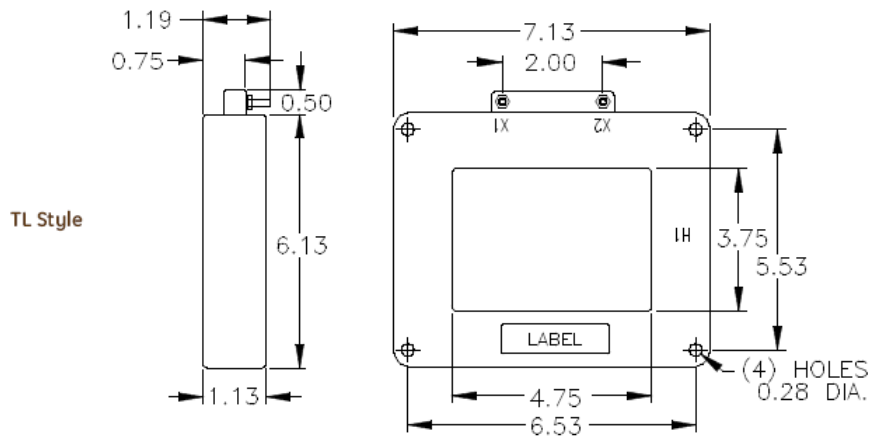
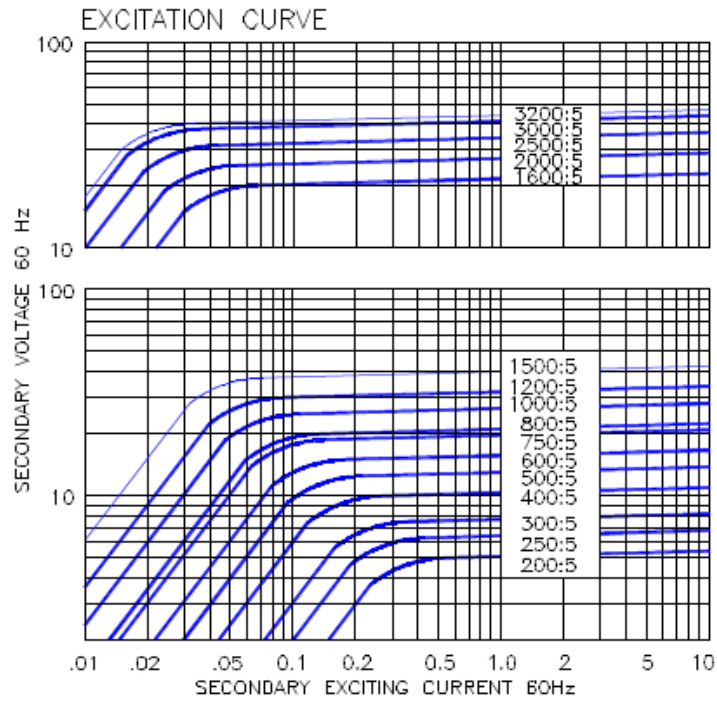
TS-Terminals are brass screws No. 10-32 with one flatwasher, lockwasher and regular nut.

Approximate weight 4 lbs.

CATALOG NUMBER	CURRENT RATIO	ANSI METERING CLASS AT 60HZ					SECONDARY WINDING RESISTANCE (OHMS @ 75°C)
		BO.1	BO.2	BO.5	BO.9	B1.8	
567**201	200:5	2.4	2.4	—	—	—	0.038
567**251	250:5	1.2	2.4	—	—	—	0.048
567**301	300:5	1.2	1.2	2.4	—	—	0.061
567**401	400:5	0.6	1.2	2.4	2.4	—	0.078
567**501	500:5	0.6	0.6	1.2	2.4	—	0.098
567**601	600:5	0.6	0.6	1.2	1.2	2.4	0.117
567**751	750:5	0.3	0.6	0.6	1.2	2.4	0.147
567**801	800:5	0.3	0.6	0.6	1.2	1.2	0.157
567**102	1000:5	0.3	0.3	0.6	0.6	1.2	0.196
567**122	1200:5	0.3	0.3	0.3	0.6	0.6	0.235
567**152	1500:5	0.3	0.3	0.3	0.3	0.6	0.368
567**162	1600:5	0.3	0.3	0.3	0.6	0.6	0.264
567**202	2000:5	0.3	0.3	0.3	0.3	0.6	0.330
567**252	2500:5	0.3	0.3	0.3	0.3	0.3	0.413
567**302	3000:5	0.3	0.3	0.3	0.3	0.3	0.616
567**322	3200:5	0.3	0.3	0.3	0.3	0.3	0.657

**Note: When ordering, prefix Cat No. with model designation required i.e. 567TL—201, or 567TS—201, etc.

Models 567TL, 567TS



CURRENT TRANSFORMERS
Model RT3747TL



WINDOW SIZE: 3.70" x 4.70"

APPLICATION: For Ammeters, Watthour Meters, Wattmeters.

CONTINUOUS THERMAL RATING:
1.33 AT 30C. amb.; 1.0 AT 55 C. amb. Average.

INSULATION CLASS:

0.6kV.BIL 10kV. Full wave

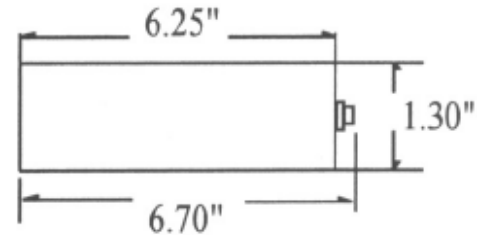
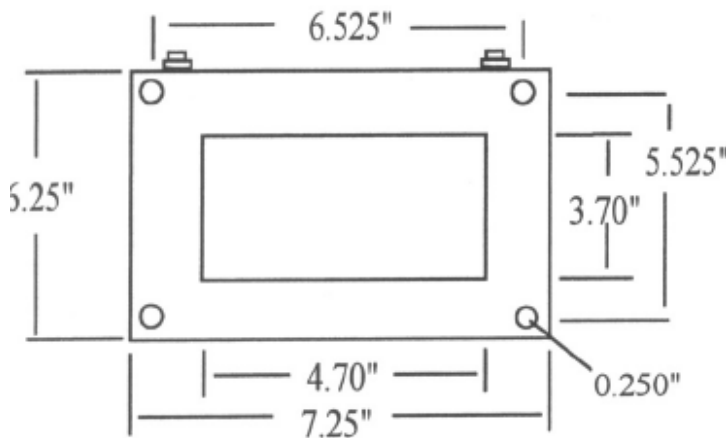
50-400 Hz

Fully Encapsulated.

Indoor/outdoor applications

Standard 5-amp secondary.

Others Available



Model RT3747TL-**

- Terminals are brass. No 10-32 UNC
- Additional ratios available
- Approximate weight 5 lbs.
- Made in United States of America

NOTE: 2400:5 and up has an Rf. Of 1 @ 30C. amb.

Similar to ITI Model 567

CATALOG NUMBER	CURRENT RATIO AMPERES	V. A. FOR +/- 1% CLASS	ANSI METERING CLASS AT 60 Hz				
			BO.1	BO.2	BO.5	BO.9	B1.8
**300	300:5	15.0	1.2	1.2	1.2	2.4	-
**400	400:5	25.0	0.6	1.2	2.4	2.4	-
**500	500:5	35.0	0.6	0.6	1.2	2.4	-
**600	600:5	50.0	0.6	0.6	1.2	1.2	2.4
**750	750:5	50.0	0.3	0.6	0.6	1.2	2.4
**800	800:5	60.0	0.3	0.6	0.6	1.2	1.2
**1000	1000:5	75.0	0.3	0.3	0.6	0.6	1.2
**1200	1200:5	75.0	0.3	0.3	0.3	0.6	0.6
**1500	1500:5	90.0	0.3	0.3	0.3	0.6	0.6
**1600	1600:5	100.0	0.3	0.3	0.3	0.6	0.6
**2000	2000:5	100.0	0.3	0.3	0.3	0.3	0.6
**2500	2500:5	100.0	0.3	0.3	0.3	0.3	0.3
**3000	3000:5	120.0	0.3	0.3	0.3	0.3	0.3
**3500	3500:5	120.0	0.3	0.3	0.3	0.3	0.3
**4000	4000:5	120.0	0.3	0.3	0.3	0.3	0.3

CURRENT TRANSFORMERS
Model RT3747TS



WINDOW SIZE: 3.70" x 4.70"

INSULATION CLASS:

0.6kV.BIL 10kV. Full wave

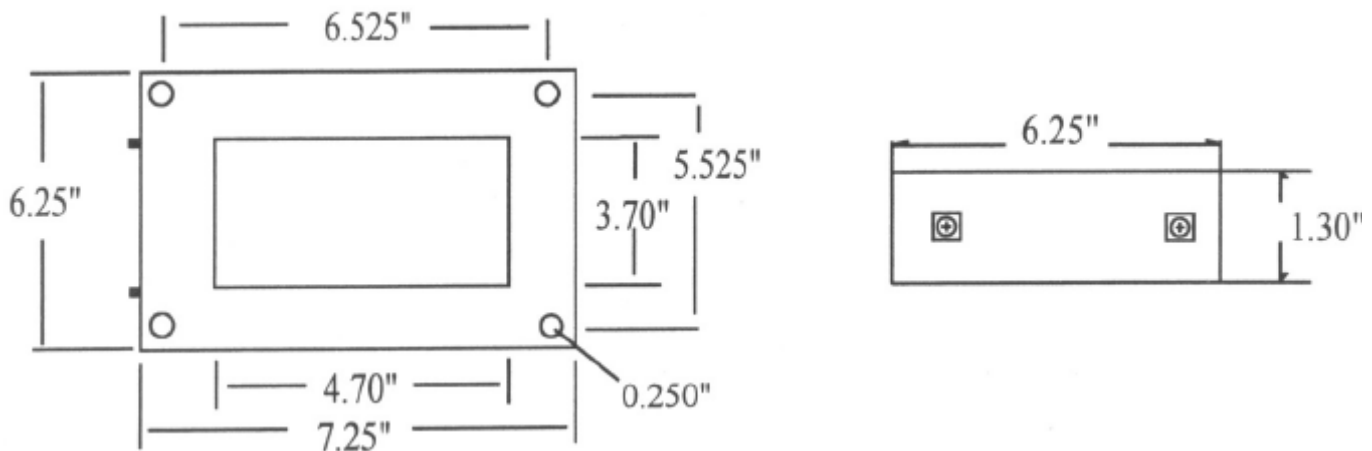
50-400 Hz

APPLICATION: For Ammeters,
Wathour Meters, Wattmeters.

Fully Encapsulated.
Indoor/outdoor applications

CONTINUOUS THERMAL RATING:
1.33 AT 30C. amb.; 1.0 AT 55 C. amb. Average.

Standard 5-amp secondary.
Others Available



Model RT3747TS-**

- Terminals are brass. No 10-32 UNC
- Additional ratios available
- Approximate weight 5 lbs.
- Made in United States of America

NOTE: 2400:5 and up has an
Rf. Of 1 @ 30C. amb.

Similar to ITI Model 567

CATALOG NUMBER	CURRENT RATIO AMPERES	V.A. FOR +/- 1% CLASS	ANSI METERING CLASS AT 60 Hz				
			BO.1	BO.2	BO.5	BO.9	B1.8
**300	300:5	15.0	1.2	1.2	1.2	2.4	-
**400	400:5	25.0	0.6	1.2	2.4	2.4	-
**500	500:5	35.0	0.6	0.6	1.2	2.4	-
**600	600:5	50.0	0.6	0.6	1.2	1.2	2.4
**750	750:5	50.0	0.3	0.6	0.6	1.2	2.4
**800	800:5	60.0	0.3	0.6	0.6	1.2	1.2
**1000	1000:5	75.0	0.3	0.3	0.6	0.6	1.2
**1200	1200:5	75.0	0.3	0.3	0.3	0.6	0.6
**1500	1500:5	90.0	0.3	0.3	0.3	0.6	0.6
**1600	1600:5	100.0	0.3	0.3	0.3	0.6	0.6
**2000	2000:5	100.0	0.3	0.3	0.3	0.3	0.6
**2500	2500:5	100.0	0.3	0.3	0.3	0.3	0.3
**3000	3000:5	120.0	0.3	0.3	0.3	0.3	0.3
**3500	3500:5	120.0	0.3	0.3	0.3	0.3	0.3
**4000	4000:5	120.0	0.3	0.3	0.3	0.3	0.3