

**CURRENT TRANSFORMERS**

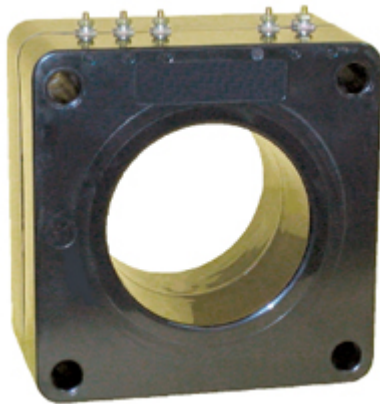
**Multi Ratio - Model 115**

**Window Size: 4.0"**

Models 112, 113 and 114 also available as Multi-Ratio.



Manufactured to meet the requirements of ANSI/IEEE C57.13.  
Classified by U.L. in accordance with IEC 44-1



**APPLICATION:**

Relaying.

**FREQUENCY:**

50-400 Hz.

**INSULATION LEVEL:**

600 Volts, 10 kV BIL full wave.

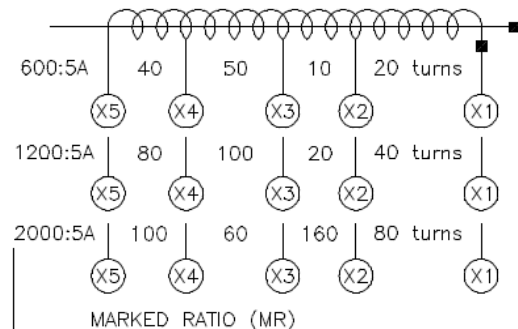
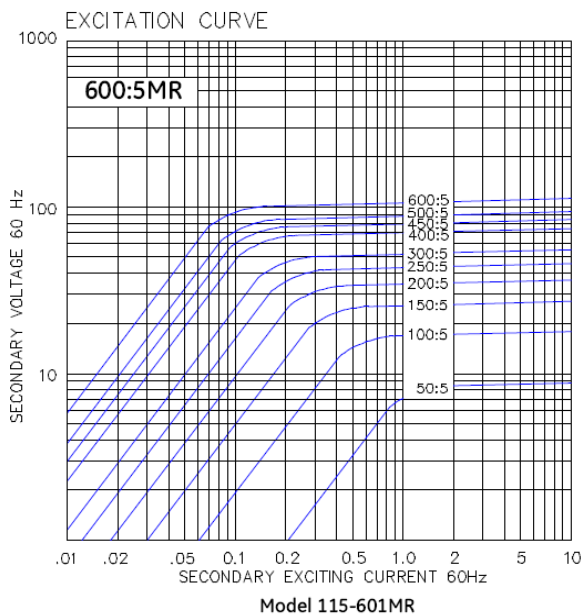
Terminals are brass studs No. 8-32 with one flatwasher, lockwasher and regular nut.

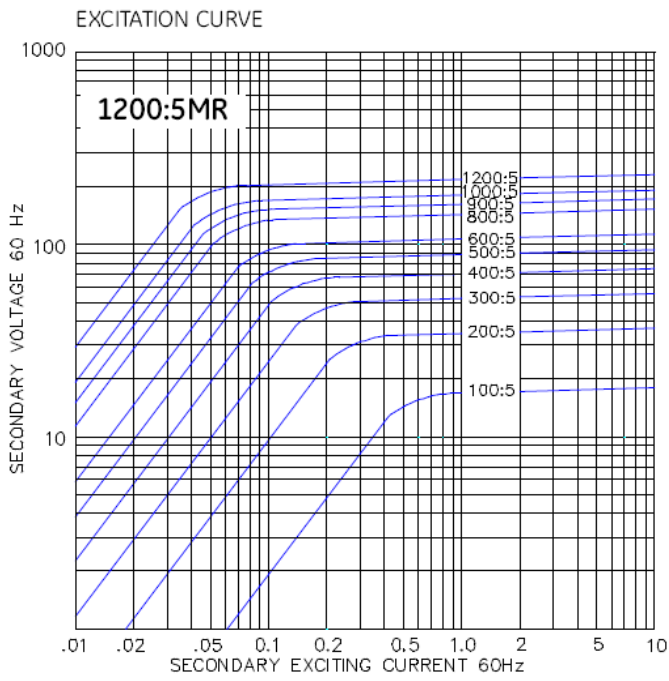
The transformer winding is arranged so that the turns are fully distributed between all taps.

Order mounting bracket kit 0221B01525 separately.

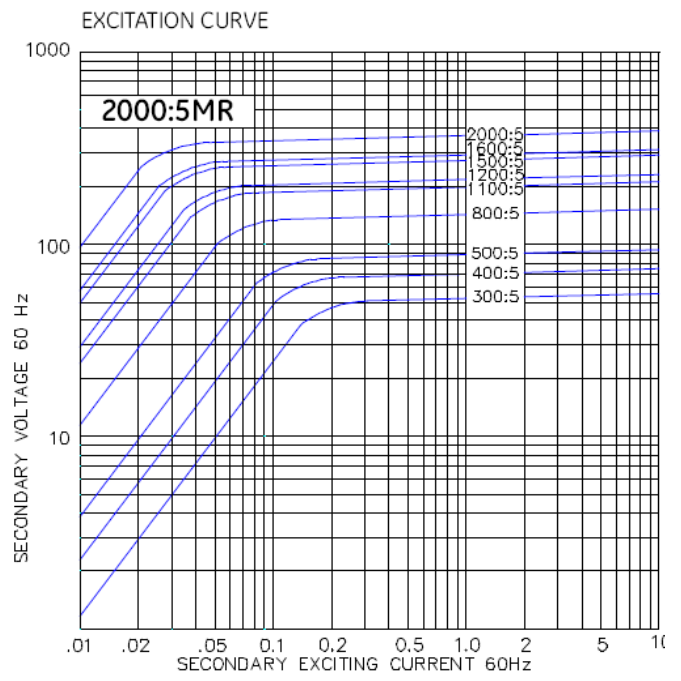
Approximate weight 19 lbs.

CATALOG NUMBER	RELAY CLASS	CONTINUOUS THERMAL RATING FACTOR	
		@ 30°C	@ 55°C
115-601MR	C50	2.0	1.5
115-122MR	C100	1.33	1.0
115-202MR	C200	1.0	0.8

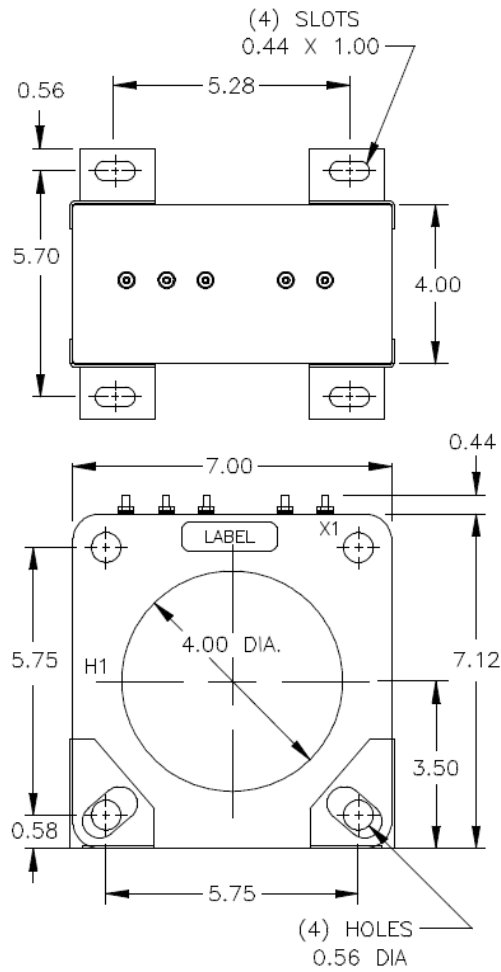




Model 115-122MR



Model 115-202MR



**CURRENT TRANSFORMERS**  
**Multi Ratio**  
**Model MR40754**



**WINDOW SIZE: 4.0"**

**INSULATION CLASS:**

0.6kV.BIL 10kV. Full wave

50-400 Hz

**APPLICATION:** With Wattmeters and Ammeters

**Fully Encapsulated.**

Indoor/outdoor applications

**CONTINUOUS THERMAL RATING:**

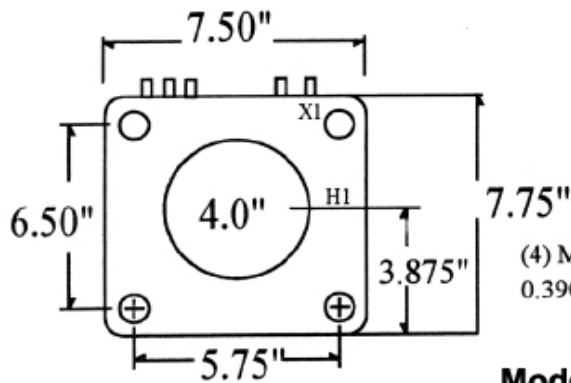
1.33 AT 30C. amb.; 1.0 AT 55 C. amb. Average.

Standard 5-amp secondary.

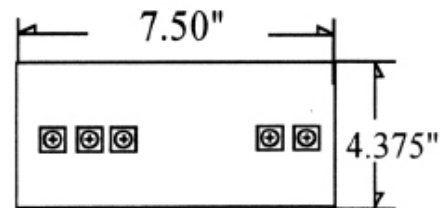
Others Available

**CURRENT RANGE:**

50 TO 300 AAC



(4) MOUNT HOLES  
0.390" DIAMETER.



**Model MR40754-\*\***

- Mounting brackets optional, order No. 40754-MBK.
- Additional ratios available
- Approximate weight 22 lbs.
- Made in United States of America  
*Similar to ITI models 115MR*

CATALOG NUMBER	CURRENT RATIO	RELAY CLASS	ANSI METERING CLASS AT 60 Hz				
			B0.1	B0.2	B0.5	B0.9	B1.8
**600	600:5	C50	0.3	0.3	0.3	0.3	0.3
**1200	1200:5	C100	0.3	0.3	0.3	0.3	0.3
**2000	2000:5	C200	0.3	0.3	0.3	0.3	0.3
**3000	3000:5	C200	0.3	0.3	0.3	0.3	0.3
**4000	4000:5	C200	0.3	0.3	0.3	0.3	0.3
**5000	5000:5	C100	0.3	0.3	0.3	0.3	0.3

600:5

1200:5

2000:5

3000:5

4000:5

5000:5

CURRENT RATIO	TAP	CURRENT RATIO	TAP	CURRENT RATIO	TAP	CURRENT RATIO	TAP	CURRENT RATIO	TAP	CURRENT RATIO	TAP
50:5	X2-X3	100:5	X2-X3	300:5	X3-X4	300:5	X3-X4	500:5	X1-X2	500:5	X2-X3
100:5	X1-X2	200:5	X1-X2	400:5	X1-X2	500:5	X4-X5	1000:5	X3-X4	1000:5	X4-X5
150:5	X1-X3	300:5	X1-X3	500:5	X4-X5	800:5	X3-X5	1500:5	X2-X3	1500:5	X1-X2
200:5	X4-X5	400:5	X4-X5	800:5	X2-X3	1000:5	X1-X2	2000:5	X1-X3	2000:5	X3-X4
250:5	X3-X4	500:5	X3-X4	1100:5	X2-X4	1200:5	X2-X3	2500:5	X2-X4	2500:5	X2-X4
300:5	X2-X4	600:5	X2-X4	1200:5	X1-X3	1500:5	X2-X4	3000:5	X1-X4	3000:5	X3-X5
400:5	X1-X4	800:5	X1-X4	1500:5	X1-X4	2000:5	X2-X5	3500:5	X2-X5	3500:5	X2-X5
450:5	X3-X5	900:5	X3-X5	1600:5	X2-X5	2200:5	X1-X3	4000:5	X1-X5	4000:5	X1-X4
500:5	X2-X5	1000:5	X2-X5	2000:5	X1-X5	2500:5	X1-X4			5000:5	X1-X5
600:5	X1-X5	1200:5	X1-X5			3000:5	X1-X5				