

CURRENT TRANSFORMERS

Model 141

Window Size: 8.13"

REGULATORY AGENCY APPROVALS



E93779 LR89403
Manufactured to meet the requirements of ANSI/IEEE C57.13.
Classified by U.L. in accordance with IEC 44-1



Approximate weight 44 lbs.

APPLICATION:

Relaying and metering.

FREQUENCY:

50-400 Hz.

INSULATION LEVEL:

600 Volts, 10 kV BIL full wave.

Terminals are brass screws No. 10-32 with one flatwasher and lockwasher.

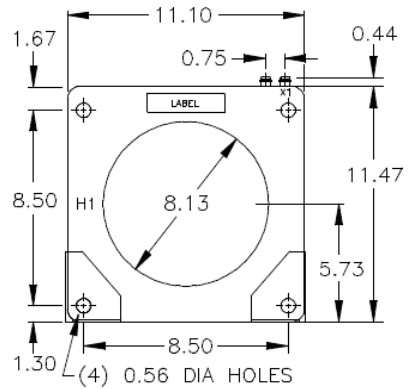
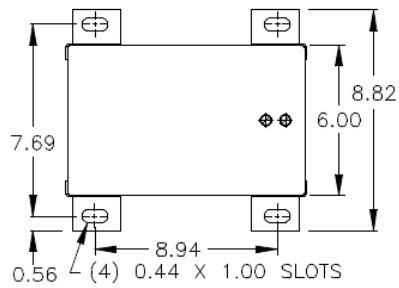
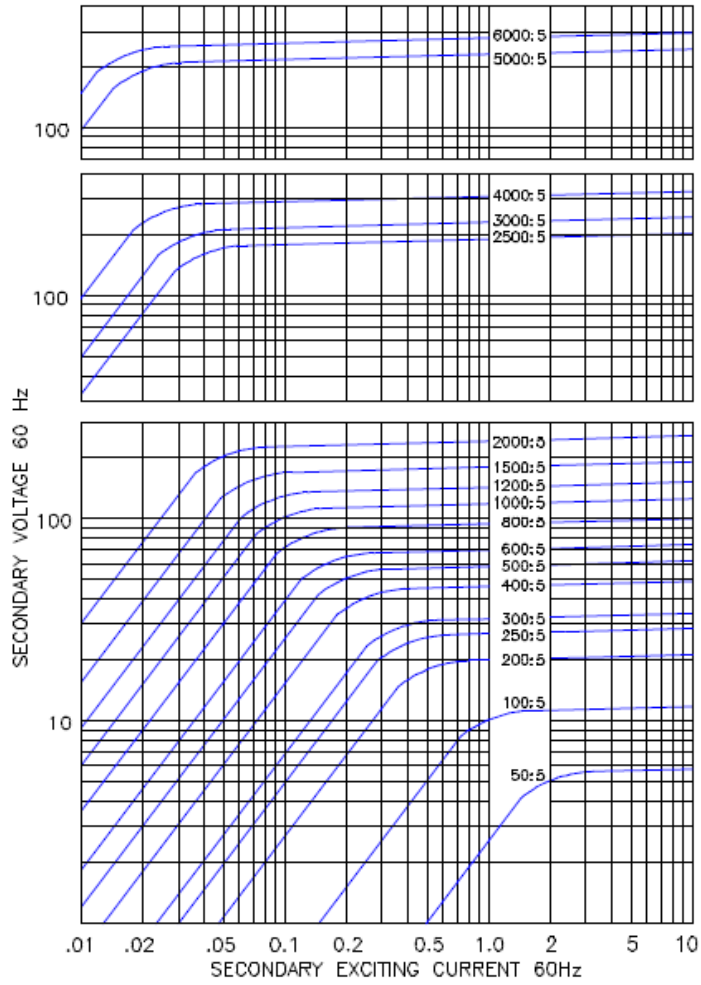
Order mounting bracket kit 0221B00775 separately.

Multi-ratios available on request.

CATALOG NUMBER	CURRENT RATIO	RELAY CLASS	ANSI METERING CLASS AT 60HZ					SECONDARY WINDING RESISTANCE (OHMS @ 75°C)	CONTINUOUS THERMAL RATING FACTOR	
			BO.1	BO.2	BO.5	BO.9	B1.8		@ 30°C	@ 55°C
141-500	50:5	C10	4.8	—	—	—	—	0.033	2.0	2.0
141-101	100:5	C10	2.4	2.4	—	—	—	0.066	2.0	2.0
141-201	200:5	C20	0.6	1.2	1.2	2.4	4.8	0.117	2.0	2.0
141-301	300:5	C50	0.6	0.6	1.2	1.2	2.4	0.248	2.0	2.0
141-401	400:5 *	C50	0.3	0.3	0.6	0.6	1.2	0.277	2.0	2.0
141-501	500:5 *	C100	0.3	0.3	0.3	0.6	0.6	0.415	2.0	2.0
141-601	600:5 *	C100	0.3	0.3	0.3	0.3	0.6	0.498	2.0	1.5
141-801	800:5 *	C100	0.3	0.3	0.3	0.3	0.3	0.664	2.0	1.5
141-102	1000:5 *	C200	0.3	0.3	0.3	0.3	0.3	0.829	2.0	1.5
141-122	1200:5 *	C200	0.3	0.3	0.3	0.3	0.3	1.002	2.0	1.5
141-152	1500:5 *	C400	0.3	0.3	0.3	0.3	0.3	1.253	1.5	1.0
141-202	2000:5 *	C400	0.3	0.3	0.3	0.3	0.3	1.659	1.33	1.0
141-252	2500:5 *	C400	0.3	0.3	0.3	0.3	0.3	1.963	1.5	1.33
141-302	3000:5 *	C400	0.3	0.3	0.3	0.3	0.3	2.356	1.5	1.0
141-402	4000:5 *	C400	0.3	0.3	0.3	0.3	0.3	3.141	1.0	0.8
141-502	5000:5 *	C400	0.3	0.3	0.3	0.3	0.3	2.862	1.0	0.8
141-602	6000:5 *	C400	0.3	0.3	0.3	0.3	0.3	4.302	1.0	0.6

Approved for revenue metering by Industry Canada No. AE-0658

EXCITATION CURVE



CURRENT TRANSFORMERS
Models 81116 RW & SH



WINDOW SIZE: 8.10"

INSULATION CLASS:

0.6kV.BIL 10kV. Full wave

50-400 Hz

APPLICATION: For Metering, Wattmeters, Ammeters, and Relays.

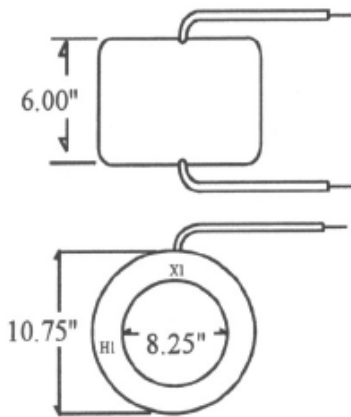
Encapsulated under vacuum, constructed of 35Kv Polyurethane Resin.

Mod. SH Only

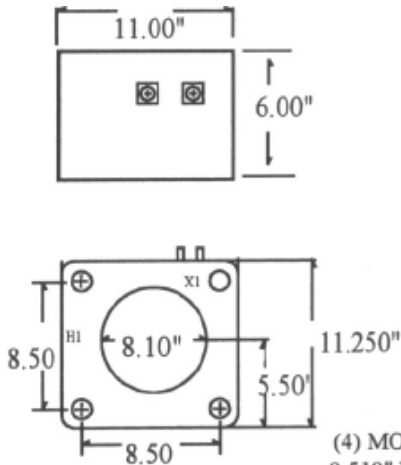
CONTINUOUS THERMAL RATING:
1.33 AT 30C. amb.; 1.0 AT 55 C. amb. Average.

Standard 5-amp secondary.
Others Available

CURRENT RANGE:
50* 100 TO 6000 AAC



Model 81116RW-**



Model 81116SH-**

(4) MOUNT HOLES
0.510" DIAMETER.

- Flexible Leads are UL 3173 125 degree C. CSA approved, #16 AWG 24" long.
- Non-Standard Length to be specified
- Terminals are brass No. 10-32 UNC.
- Mounting brackets optional, order No. 8111-MBK.
- Additional ratios available
- Approximate weight 44 lbs.
- Made in United States of America
- NOTE: 2400:5 and up has an Rf. of 1@30C.amb.

Similar to ITI models 142

CATALOG NUMBER	CURRENT RATIO	RELAY CLASS	ANSI METERING CLASS AT 60 Hz				
			B0.1	B0.2	B0.5	B0.9	B1.8
**100	100:5	C20	1.2	1.2	-	-	-
**200	200:5	C20	0.6	1.2	2.4	4.8	-
**400	400:5	C100	0.3	0.3	0.3	0.6	2.4
**500	500:5	C100	0.3	0.3	0.3	0.6	2.4
**600	600:5	C100	0.3	0.3	0.6	0.6	1.2
**800	800:5	C200	0.3	0.3	0.3	0.3	0.6
**1000	1000:5	C200	0.3	0.3	0.3	0.3	0.6
**1200	1200:5	C200	0.3	0.3	0.3	0.3	0.3
**1500	1500:5	C400	0.3	0.3	0.3	0.3	0.3
**2000	2000:5	C400	0.3	0.3	0.3	0.3	0.3
**2500	2500:5	C400	0.3	0.3	0.3	0.3	0.3
**3000	3000:5	C400	0.3	0.3	0.3	0.3	0.3
**4000	4000:5	C400	0.3	0.3	0.3	0.3	0.3
**5000	5000:5	C400	0.3	0.3	0.3	0.3	0.3
**6000	6000:5	C400	0.3	0.3	0.3	0.3	0.3