

**CURRENT TRANSFORMERS**  
**Model 20 Wound Primary**  
**Model 20X Auxiliary**  
**Transformer**

REGULATORY AGENCY APPROVALS



E93779 LR89403  
Manufactured to meet the requirements of ANSI/IEEE C57.13.  
Classified by U.L. in accordance with IEC 44-1



Approximate weight 8 lbs.

**FREQUENCY:**

50-400 Hz.

**INSULATION LEVEL:**

0.6 kV, BIL 10 kV full wave.

**CONTINUOUS THERMAL  
CURRENT RATING FACTOR:**

1.33 at 30oC. amb., 1.0 at 55oC. amb.  
Terminals are brass studs No. 8-32 with one flatwasher, lockwasher and regular nut, for ratios up to 25:5 and 1/4-20 studs for higher ratios.

Order mounting bracket kit No. 0221B00541

The **Model 20** is a low ratio primary current transformer, suitable for primary currents up to 50 amperes. It is rated for metering and relaying applications. The table lists the most common current ratings. Other ratios are available.

CATALOG NUMBER	V.A. ± 1% CLASS	RELAY CLASS	ANSI METERING CLASS AT 60HZ				
			BO.1	BO.2	BO.5	BO.9	B1.8
20-2-XXX	25	C10	0.3	0.3	0.6	1.2	2.4
20-4-XXX	125	C20	0.3	0.3	0.3	0.3	0.3

RATIO	1:5	2.5:5	5:5	7.5:5	10:5	15:5	20:5	25:5	30:5	40:5	50:5
SUFFIX	001	0025	005	0075	010	015	020	025	030	040	050

\* 1/4-20 stud terminals

# Model 20 Wound Primary & 20X Auxiliary Transformer

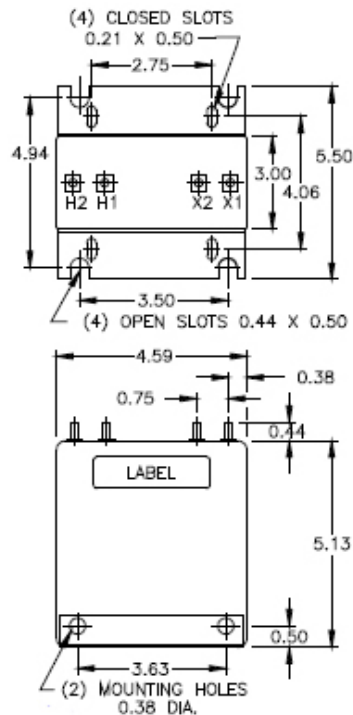
ANSI Metering Class: 0.3 B1.8

The Model 20X is an auxiliary transformer for use in the secondary of main current transformers to change the ratio for metering applications. Since the Model 20X is used in the secondary of another current transformer it has no voltage rating. It is given a 2500 volt 60Hz high potential test. It is designed to be used on circuits not to exceed 600 volts to ground or between windings.

CATALOG NUMBER	CURRENT RATIO
20X0100	5:0.1
20X0200	5:0.2
20X0250	5:0.25
20X0500	5:0.5
20X0625	5:0.625
20X1000	5:1
20X1250	5:1.25
20X1667	5:1.667
20X2000	5:2
20X2395	5:2.395
20X2500	5:2.5
20X2890	5:2.89
20X3000	5:3
20X3330	5:3.33
20X3750	5:3.750
20X4000	5:4
20X5000	5:5
20X5330	5:5.33

CATALOG NUMBER	CURRENT RATIO
20X6250	5:6.25
20X7500	5:7.25
20X8000	5:8
20X10000	5:10
20X12500	5:12.5
20X15000	5:15
20X1500-5	1.5:5
20X1667-5	1.667:5
20X2500-5	2.5:5
20X2875-5	2.875:5
20X7500-5	7.5:5
20X10500-5	10.5:5
20X0500-1	0.5:1
20X0923-1	0.923:1
20X0400-10	0.4:10
20XSUM-2 **	5+5:5
20XSUM-3 **	5+5+5:5
20XSUM-4 **	5+5+5+5:5
20XSUM-5 **	5+5+5+5+5:5

\*\* The circuits of up to five secondaries may be totaled. Equal or unequal line current transformers can be summed with this transformer. Advise the ratios of the line current transformers to be totaled for unequal ratios. Output terminals are X1-X2.



**CURRENT TRANSFORMERS**  
**Wound Primary**  
**Model WP5**



**APPLICATION:** Metering

**INSULATION CLASS:**

0.6kV.BIL 10kV. Full wave

50-400 Hz

**CONTINUOUS THERMAL RATING:**

1.33 AT 30C. amb.; 1.0 AT 55 C. amb.

Fully Encapsulated.

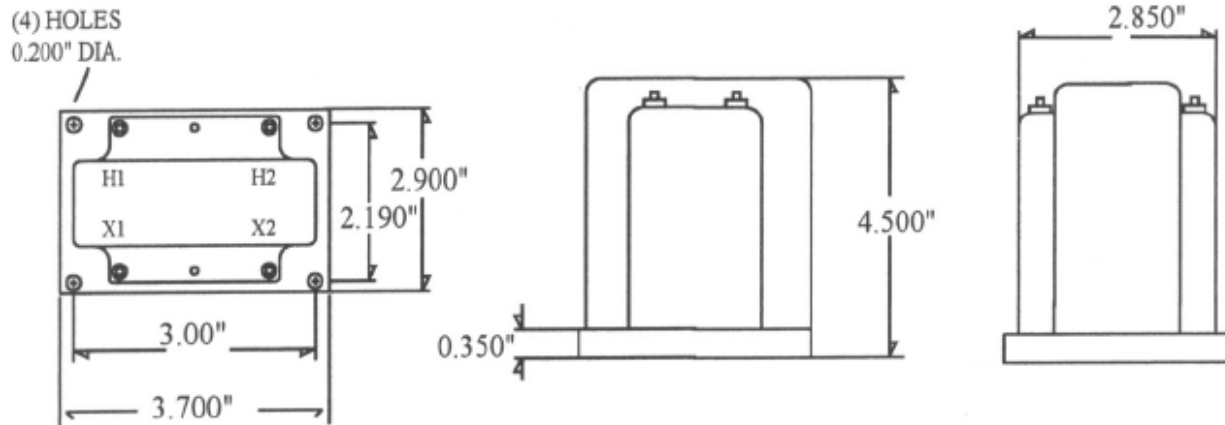
Indoor/outdoor applications

**CURRENT RANGE:**

200 TO 1200 AAC

Standard 5-amp secondary.

Others Available



**MODEL WP5-\*\***

The Model WP5 is a low ratio wound primary, current transformer suitable for primary currents up to 50 amperes.

- Terminals are brass No. 10-32 UNC.
- Additional ratios available.
- Approximate weight 1.5 lbs.
- Made in United States of America

CATALOG NUMBER	CURRENT RATIO AMPERES	V.A. FOR +1% CLASS	ANSI METERING CLASS AT 60Hz			
			BO.1	BO.2	BO.5	BO.9
*-1	1:5	12.5	0.3	0.3	0.6	1.2
*-1.5	1.5:5	12.5	0.3	0.3	0.6	1.2
*-2.5	2.5:5	12.5	0.3	0.3	0.6	1.2
*-5	5:5	12.5	0.3	0.3	0.6	1.2
*-7.5	7.5:5	12.5	0.3	0.3	0.6	1.2
*-10	10:5	12.5	0.3	0.3	0.6	1.2
*-15	15:5	12.5	0.3	0.3	0.6	1.2
*-20	20:5	12.5	0.3	0.3	0.6	1.2
*-25	25:5	12.5	0.3	0.3	0.6	1.2
*-30	30:5	12.5	0.3	0.3	0.6	1.2
*-40	40:5	12.5	0.3	0.3	0.6	1.2
*-50	50:5	12.5	0.3	0.3	0.6	1.2

**CURRENT TRANSFORMERS**  
**Wound Primary**  
**Model WP10**



**APPLICATION:** Metering

**INSULATION CLASS:**

0.6kV.BIL 10kV. Full wave

50-400 Hz

**CONTINUOUS THERMAL RATING:**

1.33 AT 30C. amb.; 1.0 AT 55 C. amb.

Fully Encapsulated.

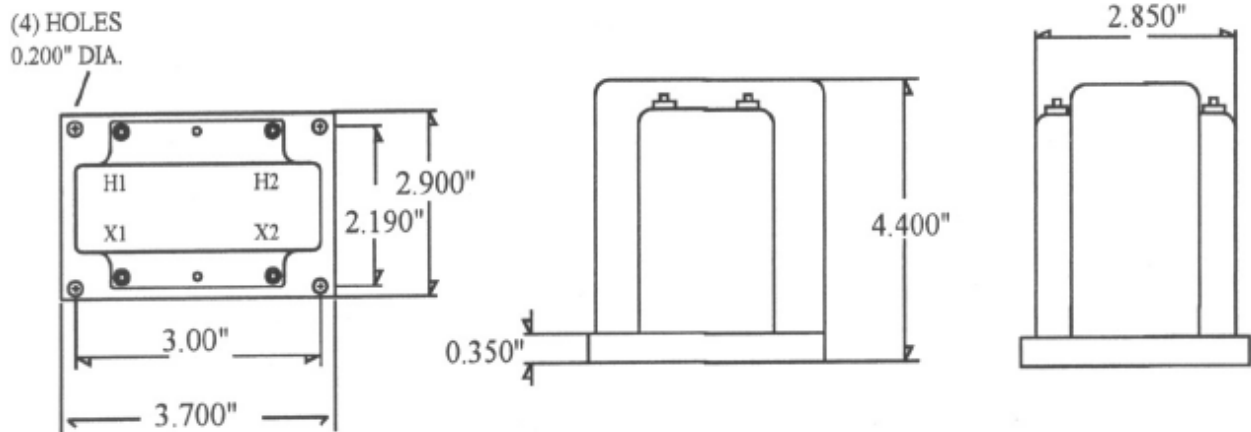
Indoor/outdoor applications

**CURRENT RANGE:**

200 TO 1200 AAC

Standard 5-amp secondary.

Others Available



**MODEL WP10-\*\***

The Model WP10 is a low ratio wound primary, current transformer suitable for primary currents up to 50 amperes.

- Terminals are brass No. 10-32 UNC.
- Additional ratios available.
- Approximate weight 2.0 lbs.
- Made in United States of America

CATALOG NUMBER	CURRENT RATIO AMPERES	V.A. FOR +1% CLASS	ANSI METERING CLASS AT 60Hz			
			BO.1	BO.2	BO.5	BO.9
*-1	1:5	15.5	0.3	0.3	0.6	1.2
*-1.5	1.5:5	15.5	0.3	0.3	0.6	1.2
*-2.5	2.5:5	15.5	0.3	0.3	0.6	1.2
*-5	5:5	15.5	0.3	0.3	0.6	1.2
*-7.5	7.5:5	15.5	0.3	0.3	0.6	1.2
*-10	10:5	15.5	0.3	0.3	0.6	1.2
*-15	15:5	15.5	0.3	0.3	0.6	1.2
*-20	20:5	15.5	0.3	0.3	0.6	1.2
*-25	25:5	15.5	0.3	0.3	0.6	1.2
*-30	30:5	15.5	0.3	0.3	0.6	1.2
*-40	40:5	15.5	0.3	0.3	0.6	1.2
*-50	50:5	15.5	0.3	0.3	0.6	1.2

**CURRENT TRANSFORMERS**  
**Wound Primary**  
**Model WP25**



**APPLICATION:** Metering & Relays.

**INSULATION CLASS:**

0.6kV.BIL 10kV. Full wave

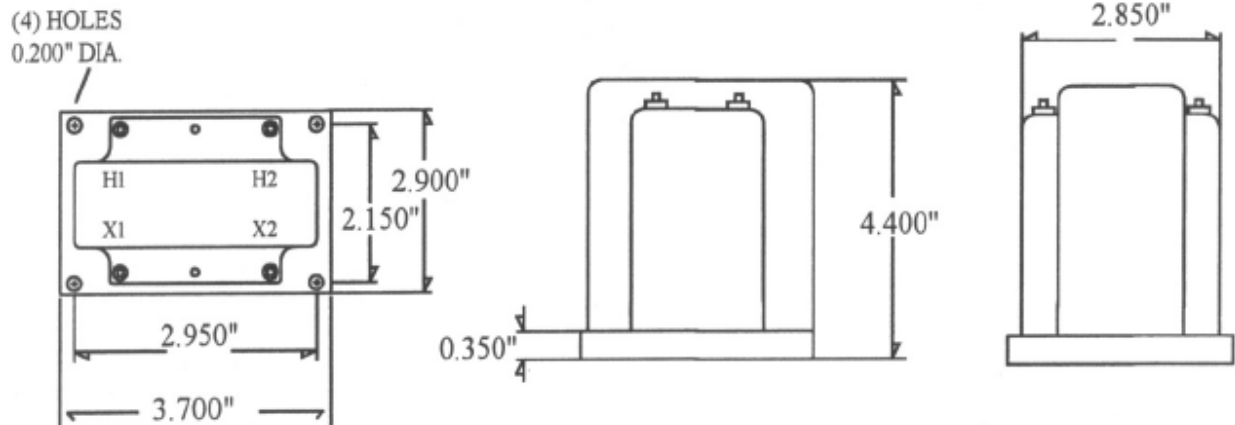
50-400 Hz

**CONTINUOUS THERMAL RATING:**  
1.33 AT 30C. amb.; 1.0 AT 55 C. amb.

Fully Encapsulated.  
Indoor/outdoor applications

**CURRENT RANGE:**  
200 TO 1200 AAC

Standard 5-amp secondary.  
Others Available



**MODEL WP25-\*\***

The Model WP25 is a low ratio wound primary, current transformer suitable for primary currents up to 50 amperes.

- Terminals are brass No. 10-32 UNC.
- Additional ratios available.
- Approximate weight 5.0 lbs.
- Made in United States of America

CATALOG NUMBER	CURRENT RATIO AMPERES	V.A. FOR +-1% CLASS	ANSI METERING CLASS AT 60Hz			
			BO.1	BO.2	BO.5	BO.9
*-1	1:5	25.0	0.3	0.3	0.6	1.2
*-1.5	1.5:5	25.0	0.3	0.3	0.6	1.2
*-2.5	2.5:5	25.0	0.3	0.3	0.6	1.2
*-5	5:5	25.0	0.3	0.3	0.6	1.2
*-7.5	7.5:5	25.0	0.3	0.3	0.6	1.2
*-10	10:5	25.0	0.3	0.3	0.6	1.2
*-15	15:5	25.0	0.3	0.3	0.6	1.2
*-20	20:5	25.0	0.3	0.3	0.6	1.2
*-25	25:5	25.0	0.3	0.3	0.6	1.2
*-30	30:5	25.0	0.3	0.3	0.6	1.2
*-40	40:5	25.0	0.3	0.3	0.6	1.2
*-50	50:5	25.0	0.3	0.3	0.6	1.2