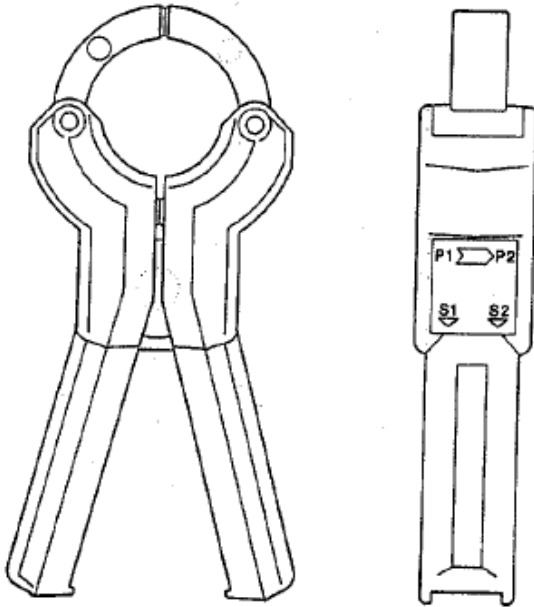


AC CURRENT CLAMPS

MEETING IEC SAFETY STANDARDS 348 CATEGORY II

US/NS-Series

600 VOLTS



General Specifications

ACCURACY CLASS: 1%
OPERATING VOLTAGE: 600 VOLTS MAX.
ISOLATION TEST: 4.0 kV - 1 MINUTE
CURRENT RATING: FULL SCALE - CONTINUOUS
 100% OVERRANGE - 3 MINUTES
TEMPERATURE RANGE: -10 to + 50 Deg. C
WEIGHT: 1 to 1.25 lb
OUTPUT TERMINALS: 4mm Safety Terminals
 Cable Optional
CABLE SIZE: US 1.7" NS 2.0"
BUSBAR SIZE: US 1.7" x 0.47" NS 2.0" x 0.5"
DIMENSIONS: US 8.0" x 3.5" x 1.6" NS 8.1" x 3.5" x 1.6"
COLOR:
CURRENT OUTPUT: Gray
VOLTAGE OUTPUT: Blue

SPECIAL CABLES and CONNECTORS ARE AVAILABLE.

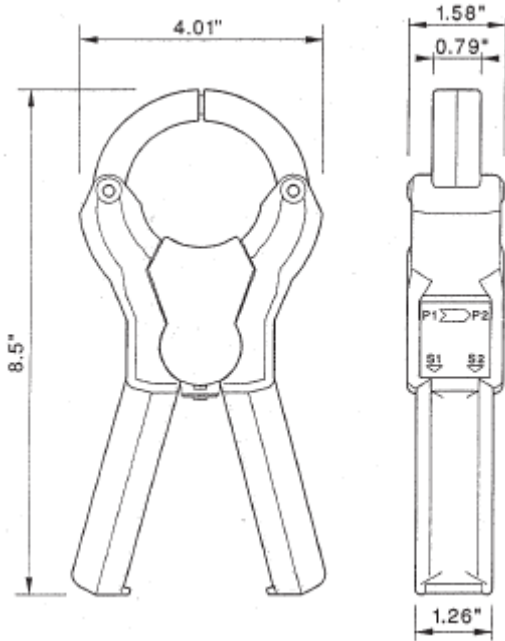
MODEL		CURRENT RANGE	OUTPUT	MAX CURRENT	LOAD (Ohms)	PHASE (Deg.)	FREQUENCY RANGE (Hz)	
							For 3%	For -3db
AC CLAMPS with AC VOLTAGE OUTPUT								
USVE-100-1	NSVE-100-1	0.1 - 100 AAC	1 VAC	150A	>20K Ohm	1.0 to 1.5	40 - 5000	30 - 10,000
USVE-200-1	NSVE-200-1	0.2 - 200 AAC	1 VAC	300A	>20K Ohm	0.5 to 1.0	40 - 5000	30 - 10,000
USVE-250-1	NSVE-250-1	0.25 - 250 AAC	1 VAC	300A	>20K Ohm	1.0 to 1.5	40 - 5000	30 - 10,000
USVE-500-1	NSVE-500-1	0.5 - 500 AAC	1 VAC	750A	>20K Ohm	0.5 to 1.0	40 - 5000	30 - 10,000
USV-500-5	NSV-500-5	0.5 - 500 AAC	5 VAC	750A	>20K Ohm	1.0 to 1.5	40 - 5000	30 - 10,000
USVE-1000-1	NSVE-1000-1	1 - 1000 AAC	1 VAC	1500A	>20K Ohm	0.25 to 1.0	40 - 5000	30 - 10,000
USV-3-100-1	NSV-3-100-1	25-50-100 AAC	1 VAC	150A	>20K Ohm	1.0 to 1.5	40 - 5000	30 - 10,000
USV-3-1000-1	NSV-3-1000-1	250-500-1000 AAC	1 VAC	1500A	>20K Ohm	0.25 to 1.0	40 - 5000	30 - 10,000
AC CLAMPS with AC CURRENT OUTPUT								
US-100-1	NS-100-1	0.1 - 100 AAC	1 AAC	150A	0.1-1 ohm	1.0 to 1.5	40 - 5000	30 - 10,000
US-100-5	NS-100-5	0.1 - 100 AAC	5 AAC	150A	0.1-1 ohm	1.0 to 1.5	40 - 5000	30 - 10,000
US-200-1	NS-200-1	0.2 - 200 AAC	1 AAC	300A	0.1-2 ohm	0.5 to 1.0	40 - 5000	30 - 10,000
US-200-5	NS-200-5	0.2 - 200 AAC	5 AAC	300A	0.1-1 ohm	1.0 to 1.5	40 - 5000	30 - 10,000
US-500-1	NS-500-1	0.5 - 500 AAC	1 AAC	750A	0.1-5 ohm	0.25 to 0.75	40 - 5000	30 - 10,000
US-500-5	NS-500-5	0.5 - 500 AAC	5 AAC	750A	0.1-1 ohm	1.0 to 1.5	40 - 5000	30 - 10,000
US-1000-1	NS-1000-1	1 - 1000 AAC	1 AAC	1500A	0.1-10 ohm	0.25 to 0.75	40 - 5000	30 - 10,000
US-1000-5	NS-1000-5	1 - 1000 AAC	5 AAC	1500A	0.1-2 ohm	0.5 to 1.0	40 - 5000	30 - 10,000
US-3-400-1	NS-3-400-1	100-200-400 AAC	1 AAC	600A	0.1-5 ohm	0.5 to 1.0	40 - 5000	30 - 10,000
US-3-400-5	NS-3-400-5	100-200-400 AAC	5 AAC	600A	0.1-1 ohm	0.5 to 1.0	40 - 5000	30 - 10,000
US-3-600-1	NS-3-600-1	150-300-600 AAC	1 AAC	900A	0.1-5 ohm	0.25 to 0.75	40 - 5000	30 - 10,000
US-3-600-5	NS-3-600-5	150-300-600 AAC	5 AAC	900A	0.1-1 ohm	0.5 to 1.0	40 - 5000	30 - 10,000
US-3-1000-1	NS-3-1000-1	250-500-1000 AAC	1 AAC	1500A	0.1-10 ohm	0.25 to 0.75	40 - 5000	30 - 10,000
US-3-1000-5	NS-3-1000-5	250-500-1000 AAC	5AAC	1500A	0.1-2 ohm	0.5 to 1.0	40 - 5000	30 - 10,000

AC CURRENT CLAMPS

MEETING IEC SAFETY STANDARD 1010-1 CATEGORY III

S-Series

600 VOLTS



General Specifications

- ACCURACY CLASS:** 1%
- OPERATING VOLTAGE:** 600 VOLTS MAX.
- ISOLATION TEST:** 5.55 kV - 1 MINUTE
- CURRENT RATING:** FULL SCALE - CONTINUOUS
100% OVERRANGE - 3 MINUTES
- TEMPERATURE RANGE:** -10 to +50 Deg. C
- CABLE SIZE:** 2.0"
- BUSBAR SIZE:** 2.0" x 0.47"
- DIMENSIONS:** 8.5" x 4.0" x 1.6"
- WEIGHT:** 1 to 1.25 lb
- OUTPUT TERMINALS:** 4mm Safety Terminals
Cable - Optional
- COLOR:**
- CURRENT OUTPUT:** Gray
- VOLTAGE OUTPUT:** Blue

Specifications subject to change without notification.

SPECIAL CABLES and CONNECTORS ARE AVAILABLE.

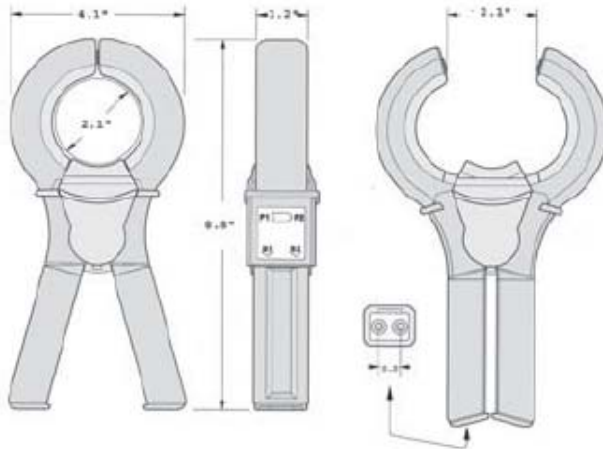
MODEL	CURRENT RANGE	OUTPUT	MAX. CURRENT	LOAD (Ohms)	PHASE (Deg.)	FREQUENCY RANGE (Hz)	
						For 3%	For -3db
AC CLAMPS with AC VOLTAGE OUTPUT							
SVE-100-1	0.1 to 100 A	1.0 V	150 A	> 20 K	1.0 to 1.5	40 - 5,000	30 - 10,000
SVE-200-1	0.2 to 200 A	1.0 V	300 A	> 20 K	0.5 to 1.0	40 - 5,000	30 - 10,000
SVE-250-1	0.5 to 250 A	1.0 V	300 A	> 20 K	1.0 to 1.5	40 - 5,000	30 - 10,000
SVE-500-1	0.5 to 500 A	1.0 V	750 A	> 20 K	0.5 to 1.0	40 - 5,000	30 - 10,000
SV-500-5	0.5 to 500 A	5.0 V	750 A	> 20 K	1.0 to 1.5	40 - 5,000	30 - 10,000
SVE-1000-1	1 to 1000 A	1.0 V	1500 A	> 20 K	0.2 to 1.0	40 - 5,000	30 - 10,000
SV-1000-5	1 to 1000 A	5.0 V	1500 A	> 20 K	0.2 to 1.0	40 - 5,000	30 - 10,000
SV-3-100-1	25-50-100 A	1.0 V	150 A	> 20 K	1.0 to 1.5	40 - 5,000	30 - 10,000
SV-3-1000-1	250-500-1000 A	1.0 V	1500 A	> 20 K	0.2 to 1.0	40 - 5,000	30 - 10,000
AC CLAMPS with AC CURRENT OUTPUT							
S-100-1	0.1 to 100 A	1.0 A	150 A	0.1 to 1	1.0 to 1.5	40 - 5,000	30 - 10,000
S-100-5	0.1 to 100 A	5.0 A	150 A	0.1 to 1	1.0 to 1.5	40 - 5,000	30 - 10,000
S-200-1	0.2 to 200 A	1.0 A	300 A	0.1 to 2	0.5 to 1.0	40 - 5,000	30 - 10,000
S-200-5	0.2 to 200 A	5.0 A	300 A	0.1 to 1	1.0 to 1.5	40 - 5,000	30 - 10,000
S-500-1	0.5 to 500 A	1.0 A	750 A	0.1 to 2	0.25 to 0.75	40 - 5,000	30 - 10,000
S-500-5	0.5 to 500 A	5.0 A	750 A	0.1 to 1	1.0 to 1.5	40 - 5,000	30 - 10,000
S-1000-1	1 to 1000 A	1.0 A	1500 A	0.1 to 2	0.25 to 0.75	40 - 5,000	30 - 10,000
S-1000-5	1 to 1000 A	5.0 A	1500 A	0.1 to 2	0.5 to 1.0	40 - 5,000	30 - 10,000
S-3-400-1	100-200-400 A	1.0 A	600 A	0.1 to 5	0.5 to 1.0	40 - 5,000	30 - 10,000
S-3-400-5	100-200-400 A	5.0 A	600 A	0.1 to 1	0.5 to 1.0	40 - 5,000	30 - 10,000
S-3-800-1	150-300-800 A	1.0 A	900 A	0.1 to 5	0.5 to 0.75	40 - 5,000	30 - 10,000
S-3-800-5	150-300-800 A	5.0 A	900 A	0.1 to 1	0.5 to 1.0	40 - 5,000	30 - 10,000
S-3-1000-1	250-500-1000 A	1.0 A	1500 A	0.1 to 2	0.25 to 0.75	40 - 5,000	30 - 10,000
S-3-1000-5	250-500-1000 A	5.0 A	1500 A	0.1 to 2	0.25 to 1.0	40 - 5,000	30 - 10,000
AC CLAMPS with DC VOLTAGE OUTPUT							
SV-100-1D	1 to 100 A	1.0 VDC	150 A	> 20 K	1.5 to 2.5	40 - 5,000	30 - 10,000
SV-1000-1D	10 to 1000 A	1.0 VDC	1500 A	> 20 K	1.5 to 2.5	40 - 5,000	30 - 10,000
SV-3-100-1D	25-50-100 A	1.0 VDC	150 A	> 20 K	1.5 to 2.5	40 - 5,000	30 - 10,000
SV-3-1000-1D	250-500-1000 A	1.0 VDC	1500 A	> 20 K	1.5 to 2.5	40 - 5,000	30 - 10,000

AC CURRENT CLAMPS

MEETING IEC SAFETY STANDARD 1010-1 CATEGORY III

SM-Series

600 VOLTS



General Specifications

ACCURACY CLASS:

- At 1000 AAC 0.5% & 0.5 Deg. Phase Shift
- At 200 AAC 0.75% & 0.75 Deg. Phase Shift
- At 50 AAC 1.5% & 1.5 Deg. Phase Shift

OPERATING VOLTAGE: 600 VOLTS MAX.

ISOLATION TEST: 5.55 kV - 1 MINUTE

CURRENT RATING: FULL SCALE - CONTINUOUS
100% OVERRANGE - 3 MINUTES

TEMPERATURE RANGE: -10 to + 50 Deg. C

CABLE OPENING: 2.1"

BUSBAR OPENING: 2.0" x 0.5"

DIMENSIONS: 8.9" x 4.1" x 1.4"

WEIGHT: 1.4 to 1.5 lb

OUTPUT TERMINALS: 4mm Safety Terminals
Cable - Optional

Specifications subject to change without notification.

SPECIAL CABLES and CONNECTORS ARE AVAILABLE.

MODEL	CURRENT RANGE	OUTPUT	MAX. CURRENT	LOAD (Ohms)	PHASE (Deg.)	FREQUENCY RANGE (Hz)	
						For 3%	For -3db
AC CLAMPS with AC VOLTAGE OUTPUT							
SMVB-1-1	0.005 to 1 A	1.0 V	10 A	> 20 K	< 2.0	40 - 5,000	30 - 10,000
SMVB-5-1	0.020 to 5 A	1.0 V	10 A	> 20 K	< 2.0	40 - 5,000	30 - 10,000
SMVB-10-1	0.050 to 10 A	1.0 V	20 A	> 20 K	< 2.0	40 - 5,000	30 - 10,000
SMVB-25-1	0.050 to 25 A	1.0 V	50 A	> 20 K	< 2.0	40 - 5,000	30 - 10,000
SMVE-100-1	0.5 to 100 A	1.0 V	200 A	> 20 K	< 0.75	40 - 5,000	30 - 10,000
SMVE-250-1	2 to 250 A	1.0 V	500 A	> 20 K	< 0.75	40 - 5,000	30 - 10,000
SMVE-500-1	1 to 500 A	1.0 V	750 A	> 20 K	< 0.5	40 - 5,000	30 - 10,000
SMVE-1000-1	1 to 1000 A	1.0 V	1500 A	> 20 K	< 0.5	40 - 5,000	30 - 10,000
SMV-3-100-1	25-50-100 A	1.0 V	150 A	> 20 K	1.0 - 2.0	40 - 5,000	
SMV-3-1000-1	250-500-1000 A	1.0 V	1500 A	> 20 K	0.5 - 0.75	40 - 5,000	30 - 10,000
AC CLAMPS with AC CURRENT OUTPUT							
SM-100-1	0.1 to 100 A	1.0 A	150 A	0.1 to 1	1.0 to 1.5	40 - 5,000	30 - 10,000
SM-100-5	0.1 to 100 A	5.0 A	150 A	0.1 to 1	1.0 to 1.5	40 - 5,000	30 - 10,000
SM-200-1	0.2 to 200 A	1.0 A	300 A	0.1 to 1	0.5 to 1.0	40 - 5,000	30 - 10,000
SM-200-5	0.2 to 200 A	5.0 A	300 A	0.1 to 1	1.0 to 1.5	40 - 5,000	30 - 10,000
SM-500-1	0.5 to 500 A	1.0 A	750 A	0.1 to 1	0.2 to 1.0	40 - 5,000	30 - 10,000
SM-500-5	0.5 to 500 A	5.0 A	750 A	0.1 to 1	1.0 to 1.5	40 - 5,000	30 - 10,000
SM-1000-1	1 to 1000 A	1.0 A	1500 A	0.1 to 1	0.2 to 1.0	40 - 5,000	30 - 10,000
SM-1000-5	1 to 1000 A	1.0 A	1500 A	0.1 to 1	0.5 to 1.0	40 - 5,000	30 - 10,000
SM-3-400-1	100-200-400 A	1.0 A	600 A	0.1 to 1	0.5 to 1.0	40 - 5,000	30 - 10,000
SM-3-400-5	100-200-400 A	5.0 A	600 A	0.1 to 1	0.5 to 1.0	40 - 5,000	30 - 10,000
SM-3-600-1	150-300-600 A	1.0 A	900 A	0.1 to 1	0.2 to 1.0	40 - 5,000	30 - 10,000
SM-3-600-5	150-300-600 A	5.0 A	900 A	0.1 to 1	0.5 to 1.0	40 - 5,000	30 - 10,000
SM-3-1000-1	250-500-1000 A	1.0 A	1500 A	0.1 to 1	0.2 to 1.0	40 - 5,000	30 - 10,000
SM3-1000-5	250-500-1000 A	5.0 A	1500 A	0.1 to 1	0.2 to 1.0	40 - 5,000	30 - 10,000