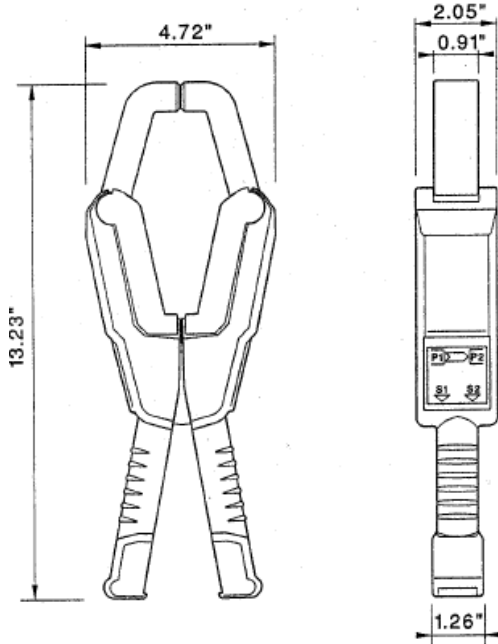


AC CURRENT CLAMPS

MEETING IEC SAFETY STANDARD 1010-1 CATEGORY III

E16-Series

600 VOLTS



General Specifications

- ACCURACY CLASS:** 1%
- OPERATING VOLTAGE:** 600 VOLTS MAX.
- ISOLATION TEST:** 5.55 kV - 1 MINUTE
- CURRENT RATING:** FULL SCALE - CONTINUOUS
100% OVERRANGE - 3 MINUTES
- TEMPERATURE RANGE:** -10 to + 50 Deg. C
- CABLE SIZE:** 2.13"
- BUSBAR SIZE:** 5.0" x 0.7" or 4.0" x 1.18"
- DIMENSIONS:** 4.7" x 13.2" x 2.0"
- WEIGHT:** 3.9 lb
- OUTPUT TERMINALS:** 4mm Safety Terminals
Cable - Optional
- COLOR:**
- CURRENT OUTPUT:** Gray
- VOLTAGE OUTPUT:** Blue

SPECIAL CABLES and CONNECTORS ARE AVAILABLE.

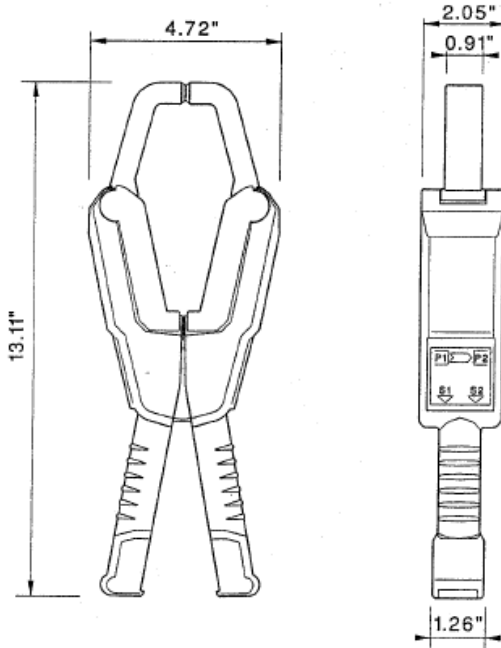
MODEL	CURRENT RANGE	OUTPUT	MAX CURRENT	LOAD (Ohms)	PHASE (Deg.)	FREQUENCY RANGE (Hz)	
						For 3%	For -3db
AC CLAMPS with AC VOLTAGE OUTPUT							
E16VE-500-1	0.5 - 500 AAC	1 VAC	750A	>20K	0.5 to 1.0	40 - 2000	30 - 5000
E16V-500-5	0.5 - 500 AAC	5 VAC	750A	>20K	1.0 to 1.5	40 - 2000	30 - 5000
E16VE-1000-1	1 - 1000 AAC	1 VAC	1500A	>20K	0.5 to 1.0	40 - 2000	30 - 5000
E16V-1000-5	1 - 100 AAC	5 VAC	1500A	>20K	1.0 to 1.5	40 - 2000	30 - 5000
E16VE-1500-1	1.5 - 1500 AAC	1 VAC	2250A	>20K	0.5 to 1.0	40 - 2000	30 - 5000
E16VE-1500-1.5	1.5 - 1500 AAC	1.5 VAC	2250A	>20K	0.5 to 1.0	40 - 2000	30 - 5000
E16V-1500-5	1.5 - 1500 AAC	5 VAC	2250A	>20K	0.5 to 1.0	40 - 2000	30 - 5000
E16V-310-1	250, 500, 1000 AAC	1 VAC	1500A	>20K	0.5 to 1.0	40 - 2000	30 - 5000
E16V-310-5	250, 500, 1000 AAC	5 VAC	1500A	>20K	0.5 to 1.0	40 - 2000	30 - 5000
E16V-315-1	500, 1000, 1500 AAC	1 VAC	2250A	>20K	0.5 to 1.0	40 - 2000	30 - 5000
E16V-315-5	500, 1000, 1500 AAC	5 VAC	2250A	>20K	0.5 to 1.0	40 - 2000	30 - 5000
AC CLAMPS with AC CURRENT OUTPUT							
E16-500-1	0.5 - 500 AAC	1 AAC	750A	0.01-4	0.5 to 1.0	40 - 2000	30 - 5000
E16-500-5	0.5 - 500 AAC	5 AAC	750A	0.01-4	1.0 to 1.5	40 - 2000	30 - 5000
E16-1000-1	1 - 1000 AAC	1 AAC	1500A	0.01-4	0.5 to 1.0	40 - 2000	30 - 5000
E16-1000-5	1 - 1000 AAC	5 AAC	1500A	0.01-4	1.0 to 1.5	40 - 2000	30 - 5000
E16-1500-1	1.5 - 1500 AAC	1 AAC	2250A	0.01-4	0.5 to 1.0	40 - 2000	30 - 5000
E16-1500-1.5	1.5 - 1500 AAC	1.5 AAC	2250A	0.01-4	0.5 to 1.0	40 - 2000	30 - 5000
E16-1500-5	1.5 - 150 AAC	5 AAC	2250A	0.01-4	0.5 to 1.0	40 - 2000	30 - 5000
E16-310-1	250, 500, 1000 AAC	1 AAC	1500A	0.01-4	0.25 to 1.0	40 - 2000	30 - 5000
E16-310-5	250, 500, 1000 AAC	5 AAC	1500A	0.01-4	0.5 to 1.0	40 - 2000	30 - 5000
E16-315-1	500, 1000, 1500 AAC	1 AAC	2250A	0.01-4	0.25 to 1.0	40 - 2000	30 - 5000
E16-315-5	500, 1000, 1500 AAC	5 AAC	2250A	0.01-4	0.5 to 1.0	40 - 2000	30 - 5000

AC CURRENT CLAMPS

MEETING IEC SAFETY STANDARD 1010-1 CATEGORY III

E32-Series

600 VOLTS



General Specifications

- ACCURACY CLASS:** 1%
- OPERATING VOLTAGE:** 600 VOLTS MAX.
- ISOLATION TEST:** 5.55 kV - 1 MINUTE
- CURRENT RATING:** FULL SCALE - CONTINUOUS
100% OVERRANGE - 3 MINUTES
- TEMPERATURE RANGE:** -10 to +50 Deg. C
- CABLE SIZE:** 2.28"
- BUSBAR SIZE:** 5.1" x 0.75" or 4.0" x 1.25"
- DIMENSIONS:** 4.7" x 13.1 x 2.0"
- WEIGHT:** 4.0 lb
- OUTPUT TERMINALS:** 4mm Safety Terminals
Cable - Optional
- COLOR:**
- CURRENT OUTPUT:** Gray
- VOLTAGE OUTPUT:** Blue

Specifications subject to change without notification.

SPECIAL CABLES and CONNECTORS ARE AVAILABLE.

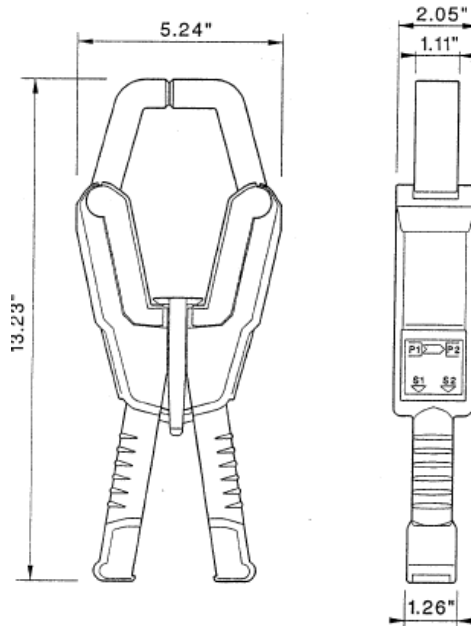
MODEL	CURRENT RANGE	OUTPUT	MAX CURRENT	LOAD (Ohms)	PHASE (Deg.)	FREQUENCY RANGE (Hz)	
						For 3%	For -3db
AC CLAMPS with AC VOLTAGE OUTPUT							
E32VE-1000-1	1 - 1000 AAC	1 VAC	1500A	>20K	0.25 to 1.0	40 - 2000	30 - 5000
E32V-1000-5	1 - 1000 AAC	5 VAC	1500A	>20K	0.5 to 1.0	40 - 2000	30 - 5000
E32VE-2000-1	2 - 2000 AAC	1 VAC	3000A	>20K	0.25 to 1.0	40 - 2000	30 - 5000
E32VE-2000-2	2 - 2000 AAC	2 VAC	3000A	>20K	0.5 to 1.0	40 - 2000	30 - 5000
E32V-2000-5	2 - 2000 AAC	5 VAC	3000A	>20K	0.5 to 1.0	40 - 2000	30 - 5000
E32VE-3000-1	3 - 3000 AAC	1 VAC	4500A	>20K	0.5 to 1.0	40 - 2000	30 - 5000
E32V-3000-3	3 - 3000 AAC	3 VAC	4500A	>20K	0.5 to 1.0	40 - 2000	30 - 5000
E32V-3000-5	3 - 3000 AAC	5 VAC	4500A	>20K	0.5 to 1.0	40 - 2000	30 - 5000
E32V-330-1	1000, 2000, 3000 AAC	1 VAC	4500A	>20K	0.5 to 1.0	40 - 2000	30 - 5000
E32V-330-5	1000, 2000, 3000 AAC	5 VAC	4500A	>20K	0.5 to 1.0	40 - 2000	30 - 5000
AC CLAMPS with AC CURRENT OUTPUT							
E32-1000-1	1 - 1000 AAC	1 AAC	1500A	0.01-4	0.25 to 1.0	40 - 2000	30 - 5000
E32-1000-5	1 - 1000 AAC	5 AAC	1500A	0.01-4	0.5 to 1.0	40 - 2000	30 - 5000
E32-2000-1	2 - 2000 AAC	1 AAC	3000A	0.01-4	0.25 to 1.0	40 - 2000	30 - 5000
E32-2000-2	2 - 2000 AAC	2 AAC	3000A	0.01-4	0.25 to 1.0	40 - 2000	30 - 5000
E32-2000-5	2 - 2000 AAC	5 AAC	3000A	0.01-4	0.5 to 1.0	40 - 2000	30 - 5000
E32-3000-1	3 - 3000 AAC	1 AAC	4500A	0.01-4	0.25 to 1.0	40 - 2000	30 - 5000
E32-3000-3	3 - 3000 AAC	3 AAC	4500A	0.01-4	0.5 to 1.0	40 - 2000	30 - 5000
E32-3000-5	3 - 3000 AAC	5 AAC	4500A	0.01-4	0.5 to 1.0	40 - 2000	30 - 5000
E32-330-1	1000, 2000, 3000 AAC	1 AAC	4500A	0.01-4	0.25 to 1.0	40 - 2000	30 - 5000
E32-330-5	1000, 2000, 3000 AAC	5 AAC	4500A	0.01-4	0.5 to 1.0	40 - 2000	30 - 5,000

AC CURRENT CLAMPS

MEETING IEC SAFETY STANDARD 1010-1 CATEGORY III

H16-Series

600 VOLTS



General Specifications

- ACCURACY CLASS:** 1%
- OPERATING VOLTAGE:** 600 VOLTS MAX.
- ISOLATION TEST:** 5.55 kV - 1 MINUTE
- CURRENT RATING:** FULL SCALE - CONTINUOUS
100% OVERRANGE - 3 MINUTES
- TEMPERATURE RANGE:** -10 to + 50 Deg. C
- CABLE SIZE:** 2.68"
- BUSBAR SIZE:** 4.8" x 1.4" or 4.0" x 1.7"
- DIMENSIONS:** 5.2" x 13.2" x 2.0"
- WEIGHT:** 4.4 lb
- OUTPUT TERMINALS:** 4mm Safety Terminals
Cable - Optional
- COLOR:**
- CURRENT OUTPUT:** Gray
- VOLTAGE OUTPUT:** Blue

Specifications subject to change without notification.

SPECIAL CABLES and CONNECTORS ARE AVAILABLE.

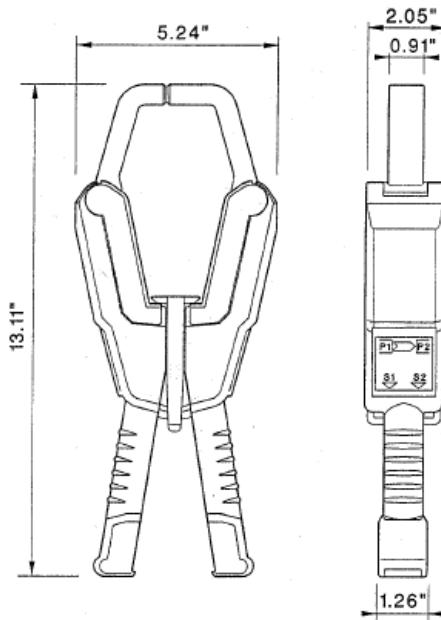
MODEL	CURRENT RANGE	OUTPUT	MAX CURRENT	LOAD (Ohms)	PHASE (Deg.)	FREQUENCY RANGE (Hz)	
						For 3%	For -3db
AC CLAMPS with AC VOLTAGE OUTPUT							
H16VE-500-1	0.5 - 500 AAC	1 VAC	750A	>20K	0.5 to 1.0	40 - 2000	30 - 5000
H16V-500-5	0.5 - 500 AAC	5 VAC	750A	>20K	1.0 to 1.5	40 - 2000	30 - 5000
H16VE-1000-1	1 - 1000 AAC	1 VAC	1500A	>20K	0.5 to 1.0	40 - 2000	30 - 5000
H16V-1000-5	1 - 100 AAC	5 VAC	1500A	>20K	1.0 to 1.5	40 - 2000	30 - 5000
H16VE-1500-1	1.5 - 1500 AAC	1 VAC	2250A	>20K	0.5 to 1.0	40 - 2000	30 - 5000
H16VE-1500-1.5	1.5 - 1500 AAC	1.5 VAC	2250A	>20K	0.5 to 1.0	40 - 2000	30 - 5000
H16V-1500-5	1.5 - 1500 AAC	5 VAC	2250A	>20K	0.5 to 1.0	40 - 2000	30 - 5000
H16V-310-1	250, 500, 1000 AAC	1 VAC	1500A	>20K	0.5 to 1.0	40 - 2000	30 - 5000
H16V-310-5	250, 500, 1000 AAC	5 VAC	1500A	>20K	0.5 to 1.0	40 - 2000	30 - 5000
H16V-315-1	500, 1000, 1500 AAC	1 VAC	2250A	>20K	0.5 to 1.0	40 - 2000	30 - 5000
H16V-315-5	500, 1000, 1500 AAC	5 VAC	2250A	>20K	0.5 to 1.0	40 - 2000	30 - 5000
AC CLAMPS with AC CURRENT OUTPUT							
H16-500-1	0.5 - 500 AAC	1 AAC	750A	0.01-4	0.5 to 1.0	40 - 2000	30 - 5000
H16-500-5	0.5 - 500 AAC	5 AAC	750A	0.01-4	1.0 to 1.5	40 - 2000	30 - 5000
H16-1000-1	1 - 1000 AAC	1 AAC	1500A	0.01-4	0.5 to 1.0	40 - 2000	30 - 5000
H16-1000-5	1 - 1000 AAC	5 AAC	1500A	0.01-4	1.0 to 1.5	40 - 2000	30 - 5000
H16-1500-1	1.5 - 1500 AAC	1 AAC	2250A	0.01-4	0.5 to 1.0	40 - 2000	30 - 5000
H16-1500-1.5	1.5 - 1500 AAC	1.5 AAC	2250A	0.01-4	0.5 to 1.0	40 - 2000	30 - 5000
H16-1500-5	1.5 - 150 AAC	5 AAC	2250A	0.01-4	0.5 to 1.0	40 - 2000	30 - 5000
H16-310-1	250, 500, 1000 AAC	1 AAC	1500A	0.01-4	0.25 to 1.0	40 - 2000	30 - 5000
H16-310-5	250, 500, 1000 AAC	5 AAC	1500A	0.01-4	0.5 to 1.0	40 - 2000	30 - 5000
H16-315-1	500, 1000, 1500 AAC	1 AAC	2250A	0.01-4	0.25 to 1.0	40 - 2000	30 - 5000
H16-315-5	500, 1000, 1500 AAC	5 AAC	2250A	0.01-4	0.5 to 1.0	40 - 2000	30 - 5000

AC CURRENT CLAMPS

MEETING IEC SAFETY STANDARD 1010-1 CATEGORY III

H32-Series

600 VOLTS



General Specifications

- ACCURACY CLASS:** 1%
- OPERATING VOLTAGE:** 600 VOLTS MAX.
- ISOLATION TEST:** 5.55 kV - 1 MINUTE
- CURRENT RATING:** FULL SCALE - CONTINUOUS
100% OVERRANGE - 3 MINUTES
- TEMPERATURE RANGE:** -10 to + 50 Deg. C
- CABLE SIZE:** 2.76"
- BUSBAR SIZE:** 5.0" x 1.3" or 4.0" x 1.8"
- DIMENSIONS:** 5.2" x 13.2 x 2.0"
- WEIGHT:** 3.5 lb
- OUTPUT TERMINALS:** 4mm Safety Terminals
Cable - Optional
- COLOR:**
- CURRENT OUTPUT:** Gray
- VOLTAGE OUTPUT:** Blue

Specifications subject to change without notification.

SPECIAL CABLES and CONNECTORS ARE AVAILABLE.

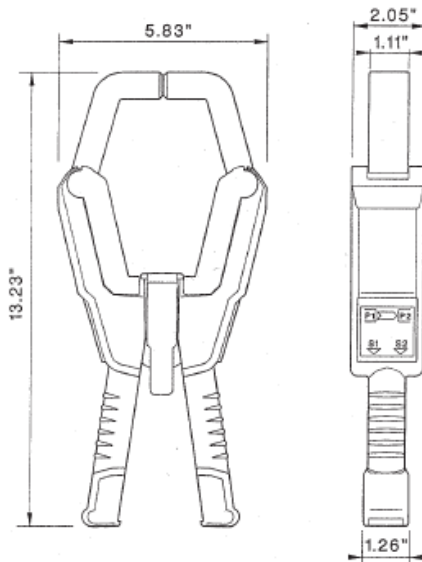
MODEL	CURRENT RANGE	OUTPUT	MAX CURRENT	LOAD (Ohms)	PHASE (Deg.)	FREQUENCY RANGE (Hz)	
						For 3%	For -3db
AC CLAMPS with AC VOLTAGE OUTPUT							
H32VE-1000-1	1 - 1000 AAC	1 VAC	1500A	>20K	0.25 to 1.0	40 - 2000	30 - 5000
H32V-1000-5	1 - 1000 AAC	5 VAC	1500A	>20K	0.5 to 1.0	40 - 2000	30 - 5000
H32VE-2000-1	2 - 2000 AAC	1 VAC	3000A	>20K	0.25 to 1.0	40 - 2000	30 - 5000
H32VE-2000-2	2 - 2000 AAC	2 VAC	3000A	>20K	0.5 to 1.0	40 - 2000	30 - 5000
H32V-2000-5	2 - 2000 AAC	5 VAC	3000A	>20K	0.5 to 1.0	40 - 2000	30 - 5000
H32VE-3000-1	3 - 3000 AAC	1 VAC	4500A	>20K	0.5 to 1.0	40 - 2000	30 - 5000
H32V-3000-3	3 - 3000 AAC	3 VAC	4500A	>20K	0.5 to 1.0	40 - 2000	30 - 5000
H32V-3000-5	3 - 3000 AAC	5 VAC	4500A	>20K	0.5 to 1.0	40 - 2000	30 - 5000
H32V-330-1	1000, 2000, 3000 AAC	1 VAC	4500A	>20K	0.5 to 1.0	40 - 2000	30 - 5000
H32V-330-5	1000, 2000, 3000 AAC	5 VAC	4500A	>20K	0.5 to 1.0	40 - 2000	30 - 5000
AC CLAMPS with AC CURRENT OUTPUT							
H32-1000-1	1 - 1000 AAC	1 AAC	1500A	0.01-4	0.25 to 1.0	40 - 2000	30 - 5000
H32-1000-5	1 - 1000 AAC	5 AAC	1500A	0.01-4	0.5 to 1.0	40 - 2000	30 - 5000
H32-2000-1	2 - 2000 AAC	1 AAC	3000A	0.01-4	0.25 to 1.0	40 - 2000	30 - 5000
H32-2000-2	2 - 2000 AAC	2 AAC	3000A	0.01-4	0.25 to 1.0	40 - 2000	30 - 5000
H32-2000-5	2 - 2000 AAC	5 AAC	3000A	0.01-4	0.5 to 1.0	40 - 2000	30 - 5000
H32-3000-1	3 - 3000 AAC	1 AAC	4500A	0.01-4	0.25 to 1.0	40 - 2000	30 - 5000
H32-3000-3	3 - 3000 AAC	3 AAC	4500A	0.01-4	0.5 to 1.0	40 - 2000	30 - 5000
H32-3000-5	3 - 3000 AAC	5 AAC	4500A	0.01-4	0.5 to 1.0	40 - 2000	30 - 5000
H32-330-1	1000, 2000, 3000 AAC	1 AAC	4500A	0.01-4	0.25 to 1.0	40 - 2000	30 - 5000
H32-330-5	1000, 2000, 3000 AAC	5 AAC	4500A	0.01-4	0.5 to 1.0	40 - 2000	30 - 5000

AC CURRENT CLAMPS

MEETING IEC SAFETY STANDARD 1010-1 CATEGORY III

P16-Series

600 VOLTS



General Specifications

- ACCURACY CLASS:** 1%
- OPERATING VOLTAGE:** 600 VOLTS MAX.
- ISOLATION TEST:** 5.55 kV - 1 MINUTE
- CURRENT RATING:** FULL SCALE - CONTINUOUS
100% OVERRANGE - 3 MINUTES
- TEMPERATURE RANGE:** -10 to + 50 Deg. C
- CABLE SIZE:** 3.15"
- BUSBAR SIZE:** 4.9" x 1.8" or 4.0" x 2.2"
- DIMENSIONS:** 13.2" x 5.83" x 2.0"
- WEIGHT:** 4.8 lb
- OUTPUT TERMINALS:** 4mm Safety Terminals
Cable - Optional
- COLOR:**
- CURRENT OUTPUT:** Gray
- VOLTAGE OUTPUT:** Blue

Specifications subject to change without notification.

SPECIAL CABLES and CONNECTORS ARE AVAILABLE.

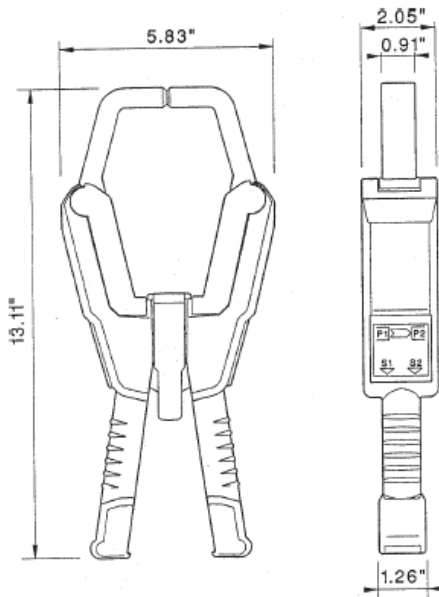
MODEL	CURRENT RANGE	OUTPUT	MAX. CURRENT	LOAD (Ohms)	PHASE (Deg.)	FREQUENCY RANGE (Hz)	
						For 3%	For -3db
AC CLAMPS with AC VOLTAGE OUTPUT							
P16VE-500-1	0.5 to 500 A	1.0 V	750 A	> 20 K	0.5 to 1.0	40 - 2,000	30 - 5,000
P16V-500-5	0.5 to 500 A	5.0 V	750 A	> 20 K	1.0 to 1.5	40 - 2,000	30 - 5,000
P16VE-1000-1	1 to 1000 A	1.0 V	1500 A	> 20 K	0.5 to 1.0	40 - 2,000	30 - 5,000
P16V-1000-5	1 to 1000 A	5.0 V	1500 A	> 20 K	1.0 to 1.5	40 - 2,000	30 - 5,000
P16VE-1500-1	1.5 to 1500 A	1.0 V	2250 A	> 20 K	0.5 to 1.0	40 - 2,000	30 - 5,000
P16V-1500-5	1.5 to 1500 A	5.0 V	2250 A	> 20 K	0.5 to 1.0	40 - 2,000	30 - 5,000
P16V-310-1	250-500-1000 A	1.0 V	1500 A	> 20 K	0.5 to 1.0	40 - 2,000	30 - 5,000
P16V-310-5	250-500-1000 A	5.0 V	1500 A	> 20 K	0.5 to 1.0	40 - 2,000	30 - 5,000
P16V-315-1	500-1000-1500 A	1.0 V	2250 A	> 20 K	0.5 to 1.0	40 - 2,000	30 - 5,000
P16V-315-5	500-1000-1500 A	5.0 V	2250 A	> 20 K	0.5 to 1.0	40 - 2,000	30 - 5,000
AC CLAMPS with AC CURRENT OUTPUT							
P16-500-1	0.5 to 500 A	1.0 A	750 A	0.1 to 4	0.5 to 1.0	40 - 2,000	30 - 5,000
P16-500-5	0.5 to 500 A	5.0 A	750 A	0.1 to 4	1.0 to 1.5	40 - 2,000	30 - 5,000
P16-1000-1	1 to 1000 A	1.0 A	1500 A	0.1 to 4	0.5 to 1.0	40 - 2,000	30 - 5,000
P16-1000-5	1 to 1000 A	5.0 A	1500 A	0.1 to 4	1.0 to 1.5	40 - 2,000	30 - 5,000
P16-1500-1	1.5 TO 1500 A	1.0 A	2250 A	0.1 to 4	0.5 to 1.0	40 - 2,000	30 - 5,000
P16-1500-5	1.5 TO 1500 A	5.0 A	2250 A	0.1 to 4	0.5 to 1.0	40 - 2,000	30 - 5,000
P16-310-1	250-500-1000 A	1.0 A	1500 A	0.1 to 4	0.25 to 1.0	40 - 2,000	30 - 5,000
P16-310-5	250-500-1000 A	5.0 A	1500 A	0.1 to 4	0.5 to 1.0	40 - 2,000	30 - 5,000
P16-315-1	500-1000-1500 A	1.0 A	2250 A	0.1 to 4	0.25 to 1.0	40 - 2,000	30 - 5,000
P16-315-5	500-1000-1500 A	5.0 A	2250 A	0.1 to 4	0.5 to 1.0	40 - 2,000	30 - 5,000
AC CLAMPS with DC VOLTAGE OUTPUT							
P16V-100-1D	1 to 100 A	1.0 VDC	150 A	> 20 K	1.5 to 2.5	40 - 2,000	30 - 5,000
P16V-1500-1D	10 to 1500 A	1.0 VDC	2250 A	> 20 K	0.5 to 1.0	40 - 2,000	30 - 5,000
P16V-310-1D	250-500-1000 A	1.0 VDC	1500 A	> 20 K	0.5 to 1.0	40 - 2,000	30 - 5,000
P16V-315-1D	500-1000-1500 A	1.0 VDC	2250 A	> 20 K	0.5 to 1.0	40 - 2,000	30 - 5,000

AC CURRENT CLAMPS

MEETING IEC SAFETY STANDARD 1010-1 CATEGORY III

P32-Series

600 VOLTS



General Specifications

- ACCURACY CLASS:** 1%
- OPERATING VOLTAGE:** 600 VOLTS MAX.
- ISOLATION TEST:** 5.55 kV - 1 MINUTE
- CURRENT RATING:** FULL SCALE - CONTINUOUS
100% OVERRANGE - 3 MINUTES
- TEMPERATURE RANGE:** -10 to + 50 Deg. C
- CABLE SIZE:** 3.27"
- BUSBAR SIZE:** 5.0" x 1.8" or 4.0" x 2.25"
- DIMENSIONS:** 13.1" x 5.83" x 2.0"
- WEIGHT:** 3.9 lb
- OUTPUT TERMINALS:** 4mm Safety Terminals
Cable - Optional
- COLOR:**
- CURRENT OUTPUT:** Gray
- VOLTAGE OUTPUT:** Blue

Specifications subject to change without notification.

SPECIAL CABLES and CONNECTORS ARE AVAILABLE.

MODEL	CURRENT RANGE	OUTPUT	MAX. CURRENT	LOAD (Ohms)	PHASE (Deg.)	FREQUENCY RANGE (Hz)	
						For 3%	For -3db
AC CLAMPS with AC VOLTAGE OUTPUT							
P32VE-1000-1	1 to 1000 A	1.0 V	1500 A	> 20 K	0.25 to 1.0	40 - 2,000	30 - 5,000
P32V-1000-5	1 to 1000 A	5.0 V	1500 A	> 20 K	0.5 to 1.0	40 - 2,000	30 - 5,000
P32VE-2000-1	2 to 2000 A	1.0 V	3000 A	> 20 K	0.25 to 1.0	40 - 2,000	30 - 5,000
P32V-2000-5	2 to 2000 A	5.0 V	3000 A	> 20 K	0.5 to 1.0	40 - 2,000	30 - 5,000
P32VE-3000-1	3 to 3000 A	1.0 V	4500 A	> 20 K	0.5 to 1.0	40 - 2,000	30 - 5,000
P32V-3000-5	3 to 3000 A	5.0 V	4500 A	> 20 K	0.5 to 1.0	40 - 2,000	30 - 5,000
P32V-330-1	1000-2000-3000 A	1.0 V	4500 A	> 20 K	0.5 to 1.0	40 - 2,000	30 - 5,000
P32V-330-5	1000-2000-3000 A	5.0 V	4500 A	> 20 K	0.5 to 1.0	40 - 2,000	30 - 5,000
AC CLAMPS with AC CURRENT OUTPUT							
P32-1000-1	1 to 1000 A	1.0 A	1500 A	0.1 to 4	0.25 to 1.0	40 - 2,000	30 - 5,000
P32-1000-5	1 to 1000 A	5.0 A	1500 A	0.1 to 4	0.5 to 1.0	40 - 2,000	30 - 5,000
P32-2000-1	2 to 2000 A	1.0 A	3000 A	0.1 to 4	0.25 to 1.0	40 - 2,000	30 - 5,000
P32-2000-5	2 to 2000 A	5.0 A	3000 A	0.1 to 4	0.5 to 1.0	40 - 2,000	30 - 5,000
P32-3000-1	3 to 3000 A	1.0 A	4500 A	0.1 to 4	0.25 to 1.0	40 - 2,000	30 - 5,000
P32-3000-3	3 to 3000 A	3.0 A	4500 A	0.1 to 4	0.5 to 1.0	40 - 2,000	30 - 5,000
P32-3000-5	3 to 3000 A	5.0 A	4500 A	0.1 to 4	0.5 to 1.0	40 - 2,000	30 - 5,000
P32-330-1	1000-2000-3000 A	1.0 A	4500 A	0.1 to 4	0.25 to 1.0	40 - 2,000	30 - 5,000
P32-330-5	1000-2000-3000 A	5.0 A	4500 A	0.1 to 4	0.5 to 1.0	40 - 2,000	30 - 5,000
AC CLAMPS with DC VOLTAGE OUTPUT							
P32V-1000-1D	1 to 1000 A	1.0 VDC	1500 A	> 20 K	0.5 to 1.0	40 - 2,000	30 - 5,000
P32V-3000-1D	10 to 3000 A	1.0 VDC	4500 A	> 20 K	0.5 to 1.0	40 - 2,000	30 - 5,000
P32V-315-1D	500-1000-1500 A	1.0 VDC	2250 A	> 20 K	0.5 to 1.0	40 - 2,000	30 - 5,000
P32V-330-1D	1000-2000-3000 A	1.0 VDC	4500 A	> 20 K	0.5 to 1.0	40 - 2,000	30 - 5,000