

**3 Phase Voltage Transformer
Model 2VT460**

REGULATORY AGENCY APPROVALS

 Manufactured to meet the requirements of ANSI/IEEE C57.13.
 Classified by U.L. in accordance with IEC 44-1



FREQUENCY:

60 Hz.

STANDARD SECONDARY VOLTAGE:

120 Volts

INSULATION LEVEL:

600 Volt, 10 kV BIL full wave.

ACCURACY CLASS:

0.6 W, 1.2 X

THERMAL RATING:

150 VA at 30oC. amb., 100 VA at 55oC. amb.

Terminals are brass screws No. 8-32
with one lockwasher and flatwasher.

Approximate weight 15.5 lbs.

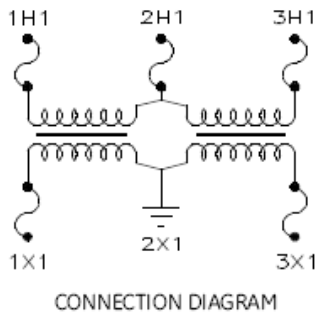


Clear Plastic Cover

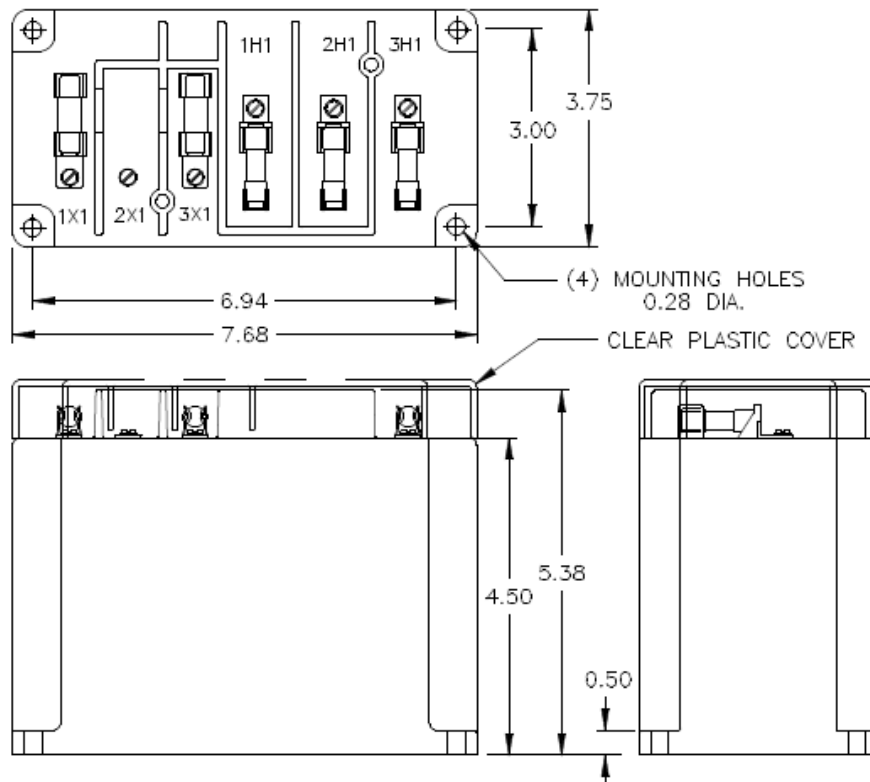
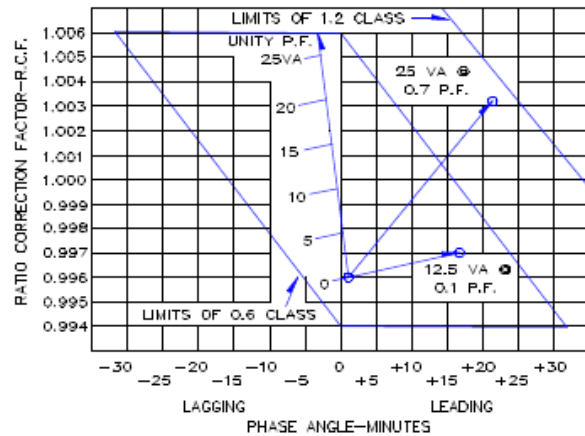
CATALOG NUMBER		VOLTAGE RATING	TURNS RATIO	REC. PRIMARY FUSE RATING
PRIMARY FUSES ONLY	PRIMARY AND SECONDARY FUSES			
2VT460-069F	2VT460-069FF	69.3:120	0.58:1	50
2VT460-120F	2VT460-120FF	120:120	1:1	40
2VT460-208F	2VT460-208FF	208:120	1.73:1	20
2VT460-240F	2VT460-240FF	240:120	2:1	20
2VT460-288F	2VT460-288FF	288:120	2.4:1	15
2VT460-300F	2VT460-300FF	300:120	2.5:1	15
2VT460-480F	2VT460-480FF	480:120	4:1	10
2VT460-600F	2VT460-600FF	600:120	5:1	0.75

Model 2VT460

- The core and coil assembly is encased in a thermoplastic shell and filled with resin.
- These transformers are designed for open delta connection.
- Primary fuses are type CC rejection style.
- IS is desirable to use a 1.6 amp BBS type or equal fuse in the secondary to protect the transformer.
- Models designed specifically for 50Hz operation are available with reduced performance. Consult factory for details.
- This page contains a circle diagram for the estimation of the errors or other than rated burdens.



VOLTAGE TRANSFORMER CIRCLE DIAGRAM
THIS GRAPH IS DRAWN FOR A 60Hz 0.6 P.F. SYSTEM



Two-Phase Potential Transformers

2PT150

INDOOR & OUTDOOR

600 VOLT CLASS

150 VA

Specifications

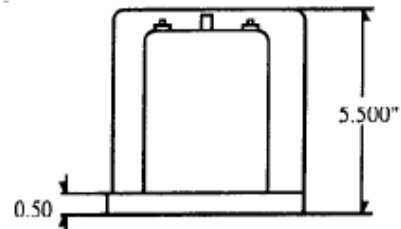
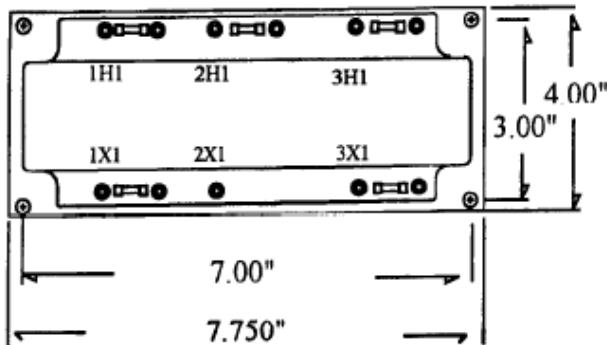
INPUT VOLTAGE: SEE CHART
 OUTPUT VOLTAGE: 120V
 INSULATION CLASS: 600 Volts, 10Kv BIL Full Wave.
 TEMPERATURE RANGE: -20 TO +55 Deg. C
 STORAGE TEMPERATURE: -40 TO +80 Deg. C
 ACCURACY CLASS: 0.6W, 1.2X at 60 Hz.
 BURDEN RATING: 150 VA at 30 Deg. C amb.
 100 VA at 55 Deg. C amb

Applications and Features

FOR USE IN OPEN DELTA CONNECTIONS
 THE CORE AND COIL ASSEMBLY ARE ENCAPSULATED
 FOR INDOOR/OUTDOOR USE (Outdoor with an optional boot)
 TERMINALS ARE BRASS No. 10-32

APPROXIMATE WEIGHT: 16.0 lbs.

(4) HOLES
0.312 DIA.



It is desirable to use a 1.5 amp fuse in the secondary to protect the transformer.
 The model 2PT75-3.17 is designed specifically for 50 Hz operation at 66% reduced load
 All other ratios are designed for 60 Hz operations.
 Transformers are ANSI C57.13 group 1.

MODEL			INPUT VOLTAGE	OUTPUT VOLTAGE	TURNS RATIO	LINE FREQ	ANSI C57.13 RATING
Transformer only	Primary and Secondary Fuses	Primary Fuses only					
2PT150-0.58	2PT150-0.58PSF	2PT150-0.58PF	69.4	120	0.58:1	60Hz	GROUP 1
2PT150-1	2PT150-1PSF	2PT150-1PF	120	120	1:1	60Hz	GROUP 1
2PT150-1.73	2PT150-1.73PSF	2PT150-1.73PF	208	120	1.73:1	60Hz	GROUP 1
2PT150-2	2PT150-2PSF	2PT150-2PF	240	120	2:1	60Hz	GROUP 1
2PT150-2.4	2PT150-2.4PSF	2PT150-2.4PF	288	120	2.4:1	60Hz	GROUP 1
2PT150-2.5	2PT150-2.5PSF	2PT150-2.5PF	300	120	2.5:1	60Hz	GROUP 1
2PT150-4	2PT150-4PSF	2PT150-4PF	480	120	4:1	60Hz	GROUP 2
2PT150-5	2PT150-5PSF	2PT150-5PF	600	120	5:1	60Hz	GROUP 2
2PT150-3.17	2PT150-3.17PSF	2PT150-3.17PF	380	120	3.17:1	50Hz	GROUP 2

SPECIFICATIONS SUBJECT TO CHANGE WITHOUT NOTICE